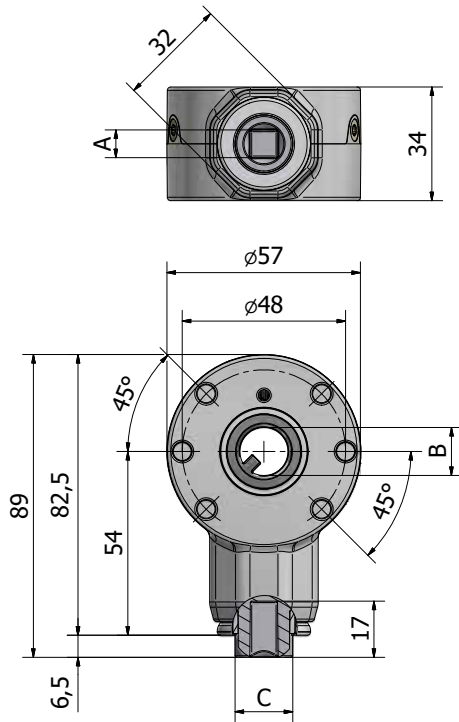


**CHERUBINI**  
tocco italiano dal 1947

ACCESSORI PER VENEZIANE  
KOMPONENTEN FÜR JALOUSIEN  
ACCESSORIES FOR VENETIAN BLINDS  
COMPOSANTS POUR STORES A LAMELLES  
ACCESORIOS PARA VENECIANA

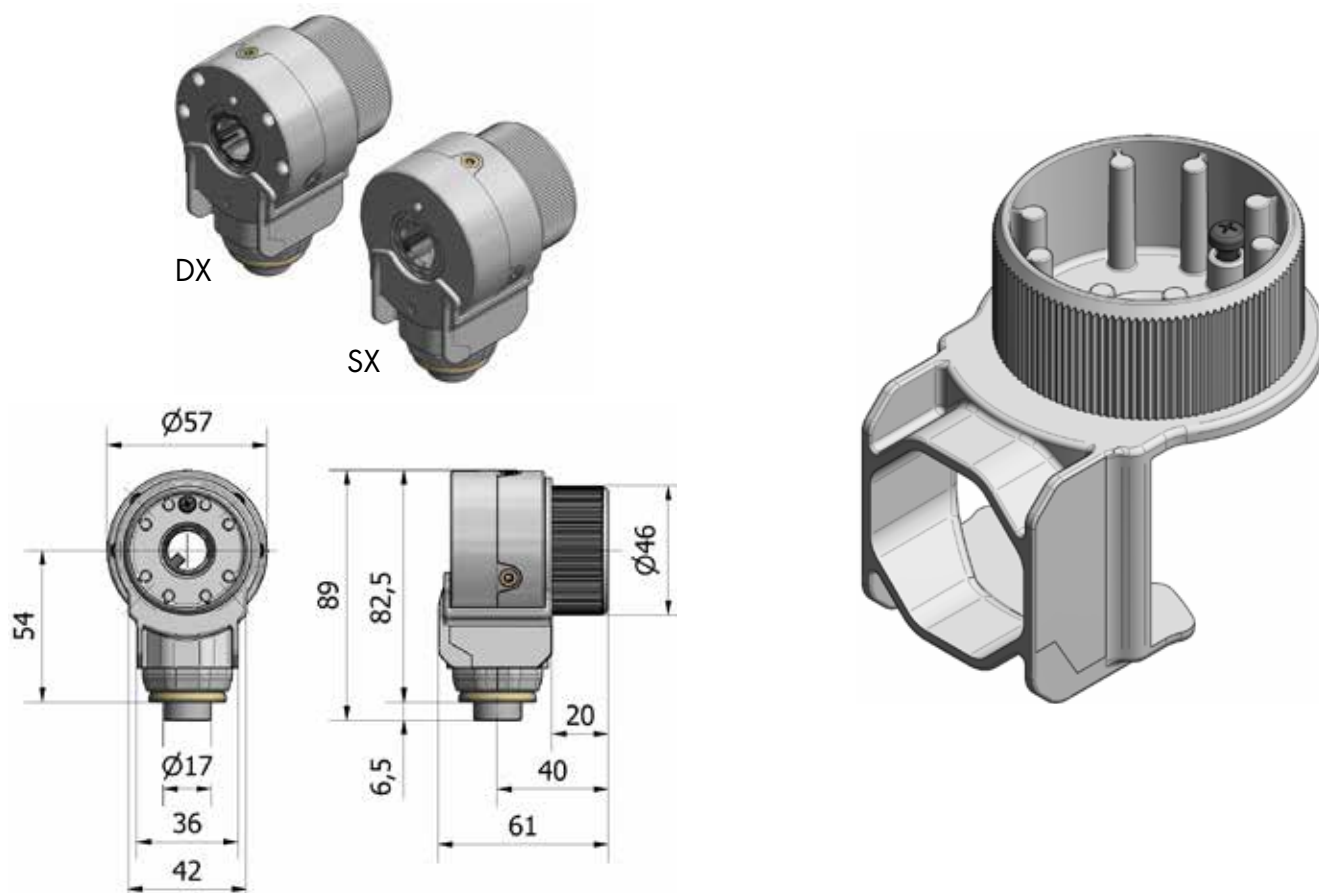


- Bevel gear in Zamak.
- Conic mechanism in Zamak.
- Steel spring brake.
- Floating on ball in Nylon.
- Right and left rotation.
- Can be mounted beside the 57x51 and 58x56 headrail.
- Can be mounted inside of the 58x56 headrail.
- N°6 holes for fixing the gearbox with thread forming screws M6 DIN 7500, holes on pitch circle diameter 48 mm with angles 45°.

Efficiency: **0,60**

Max. output torque: **6 Nm**

INPUT A	OUTPUT B	Ø C	REFERENCE
□ 8	⌚ 14	17	<b>7006.80.01</b>
ADAPTER FOR BRACKETS Ø46 Ref. 7006.A4620			



- Structure in Nylon.
- The adaptor fits on the brackets serie:  
7073P, 7073PH, 7075PA (58x56 headrail);  
7080P, 7075PU (57x51 headrail).
- Right and left rotation.
- Safety screw for the gear anchoring.
- Can be mounted beside the 57x51 and 58x56 headrail.
- Can be mounted inside of the 58x56 headrail.

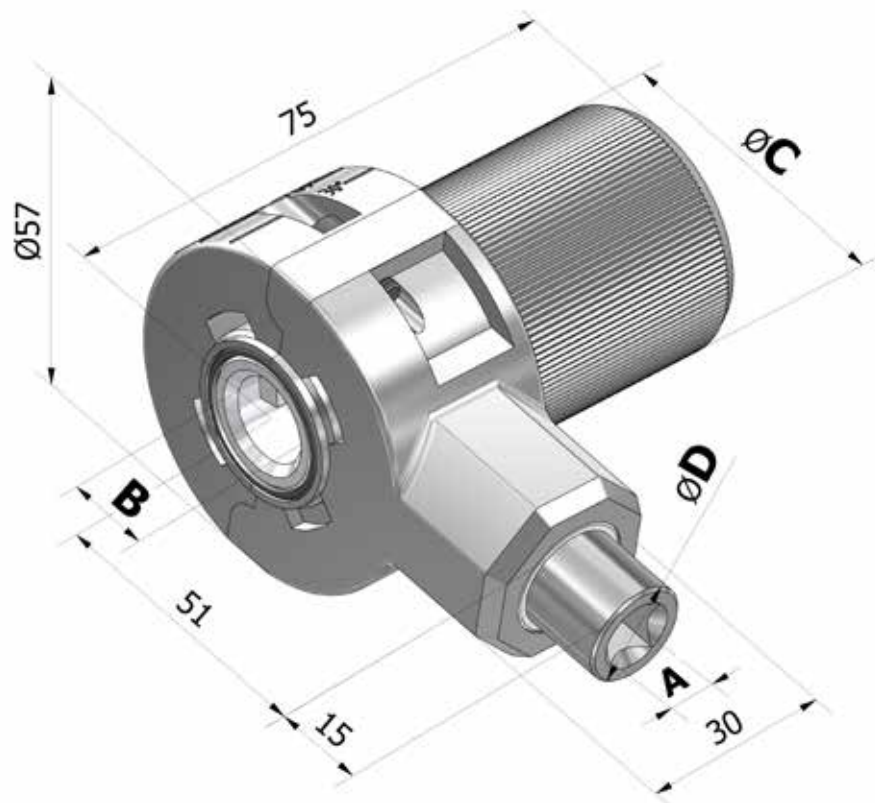
Overall dimension of the adaptor assembled on the gear.

### REFERENCE

---

**7006.A4620**

---

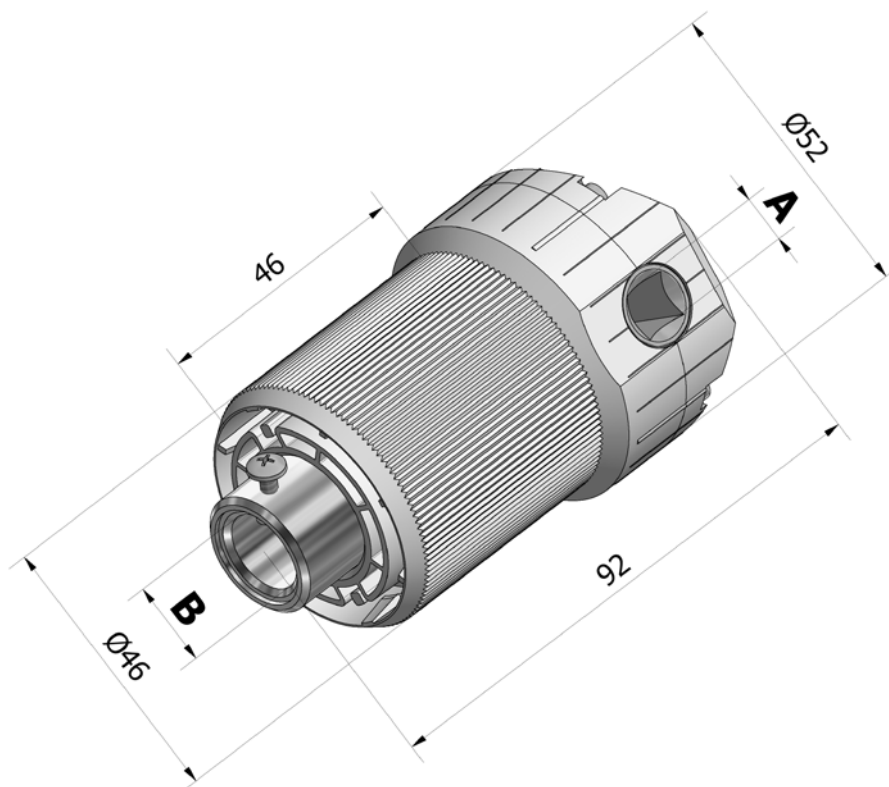


- Bevel gear in Zamak.
- Conic mechanism in Zamak.
- Steel spring brake.
- Floating on ball in Nylon.
- Right and left rotation.

Efficiency: **0,56**

Max. Operating torque:  
 (30 Kg weight on Ø 32) **2,9 Nm**

INPUT A	OUTPUT B	Ø C	Ø D	REFERENCE
□ 8	⌚ 14	46	17	<b>7007.80.01</b>
⬡ 6	□ 12	46	12	<b>7007.60.05</b>
⬡ 6	⌚ 14	46	12	<b>7007.60.01</b>



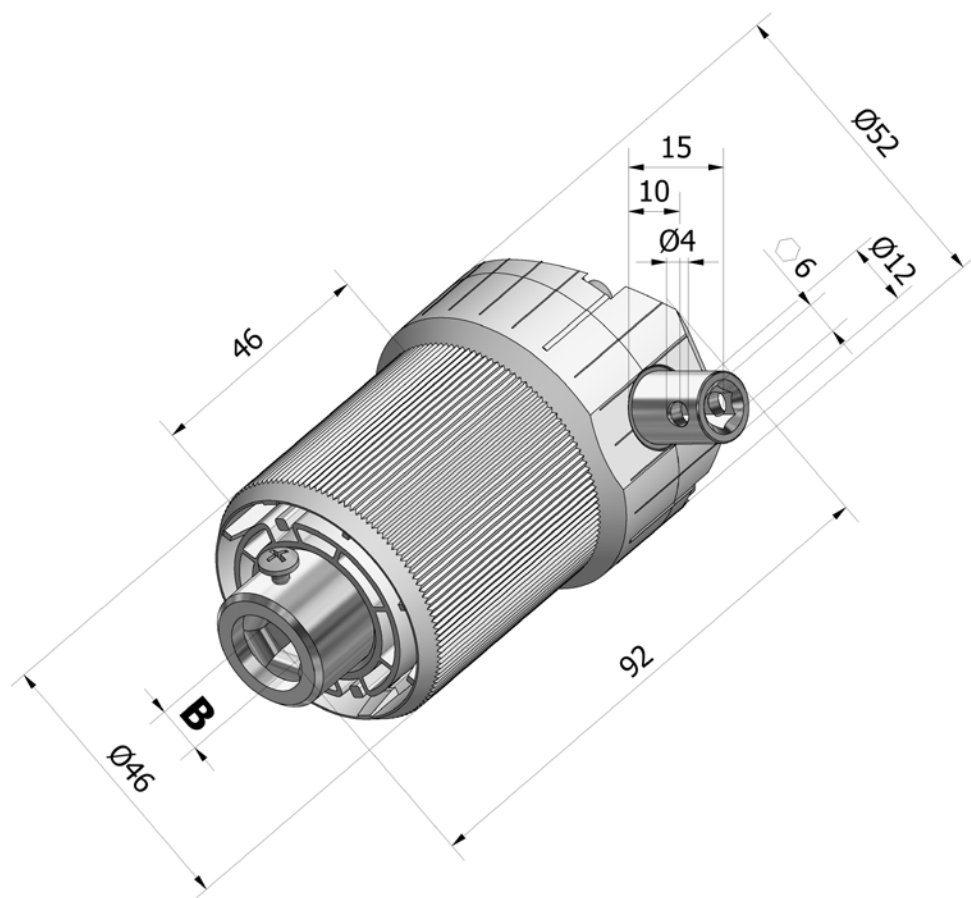
- Case in Nylon.
- Bevel gear in Zamak.
- Steel spring brake.
- Right and left rotation.
- Adaptable to 57x51 and 58x56 headrail.

 Efficiency: **0,60**

 Max. torque output: **5 Nm**

 Operating torque for  
 20 Kg weight on Ø 32: **3,2 Nm**

INPUT A	OUTPUT B	REFERENCE
⬡ 6	⌚ 14	<b>7012.60.01.N</b>
⬡ 6	□ 7	<b>7012.60.03.N</b>
⬡ 6	⬡ 8	<b>7012.60.07.N</b>
⬡ 6	□ 12	<b>7012.60.05.N</b>
□ 6	⌚ 14	<b>7012.50.01.N</b>
□ 8	⌚ 14	<b>7012.80.01.N</b>
□ 8	⬡ 11	<b>7012.80.08.N</b>
□ 8	⌚ 14 For non-through axle	<b>7012.81.01.N</b>



- Case in Nylon.
- Bevel gear in Zamak.
- Steel spring brake.
- Left rotation.
- Adaptable to 57x51 and 58x56 headrail.

Efficiency: **0,60**

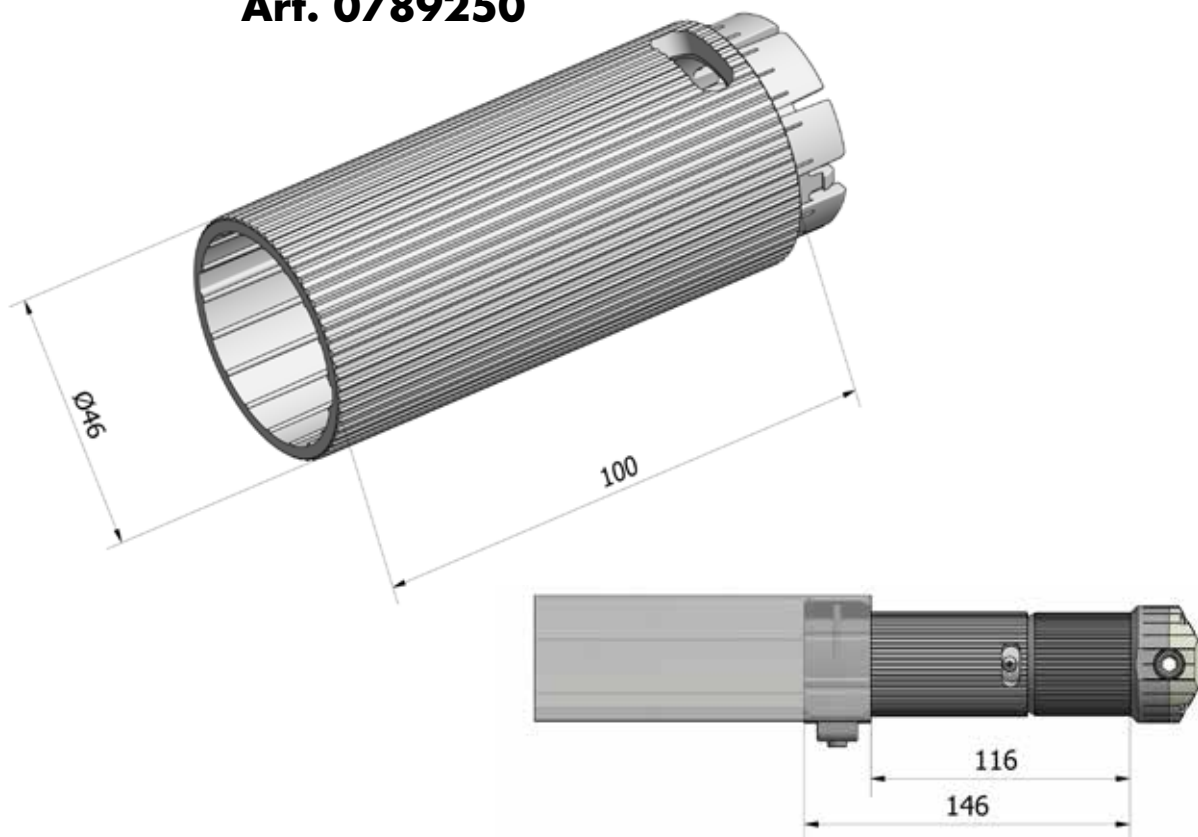
Max. torque output: **5 Nm**

Operating torque for  
20 Kg weight on Ø 32: **3,2 Nm**

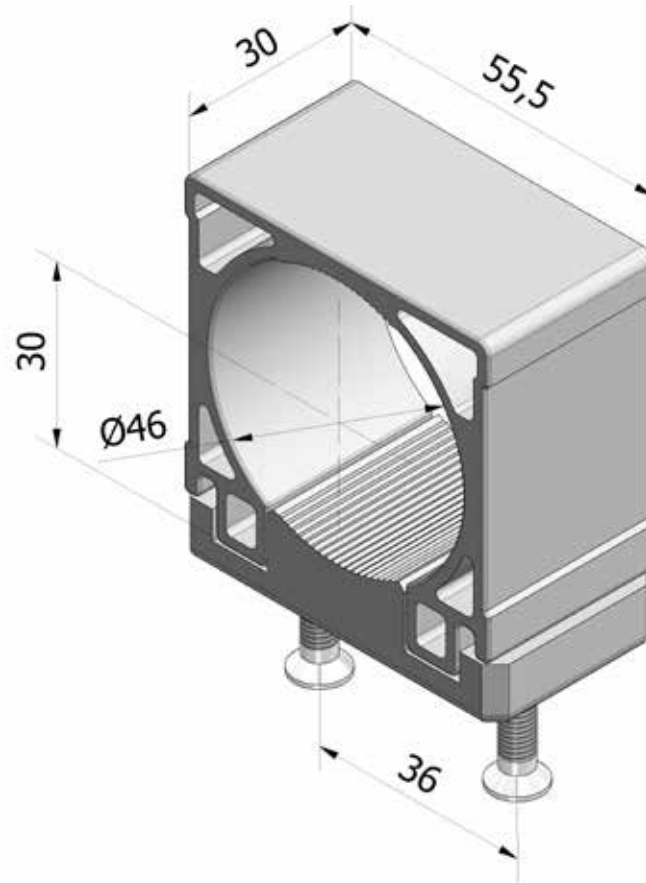
**OUTPUT B**
**REFERENCE**

☺ 14	<b>7014.60.01.N</b>
□ 7	<b>7014.60.03.N</b>
□ 12	<b>7014.60.05.N</b>
◇ 8	<b>7014.60.07.N</b>



**Art. 0789250**

- Material: Nylon.
- The optional extension can be fastened to the gears series 7012, 7014, 7016 (Ø 46) and allows to action the gear from outside the headrail.
- The extension fits on the brackets serie:  
7073P, 7073PH, 7075PA (58x56 headrail)  
7080P, 7085PU (57x51 headrail).



- Structure in Nylon.
- Tightening with 2 self-tapping screws.
- Adaptable to 58x56 headrail with lower opening.
- Anti-rotation interior knurling.

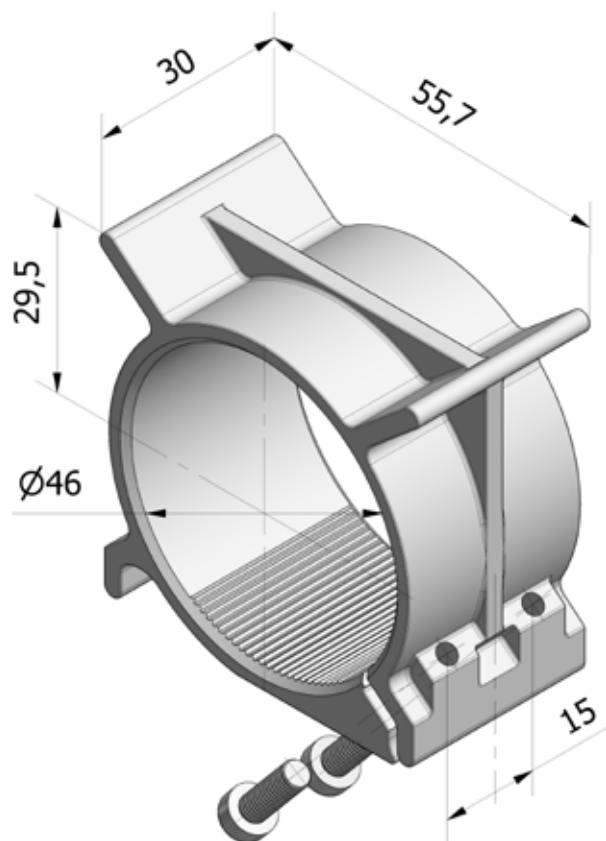
**Ø TIGHTENING**
**HEADRAIL**
**REFERENCE**

46

58x56

**7073.P**





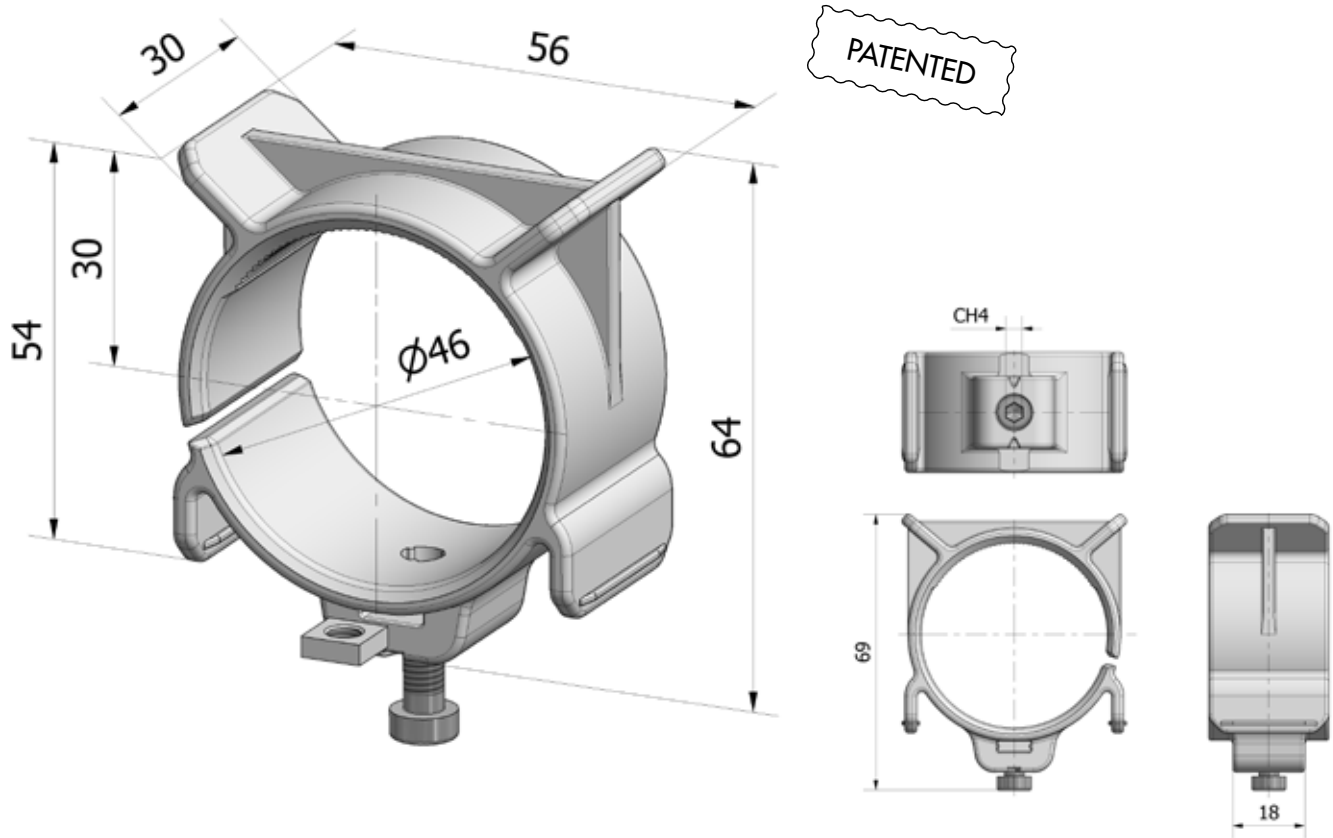
- Structure in Nylon.
- Tightening with 2 self-tapping screws TORX T20.
- Adaptable to 58x56 headrail with lower opening.
- Anti-rotation interior knurling.

**Ø TIGHTENING**
**HEADRAIL**
**REFERENCE**

46

58x56

**7073.PH**



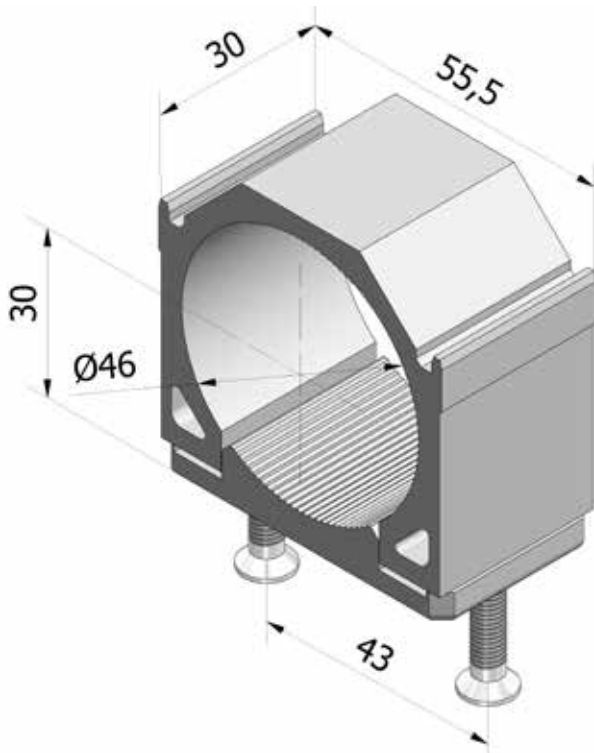
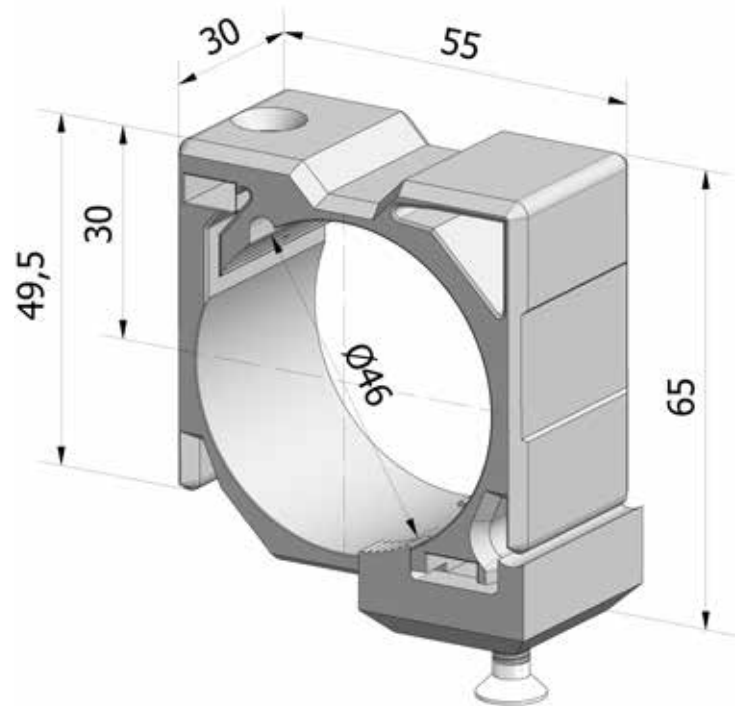
- Structure in Nylon.
- Expansion locking.
- Setting through 1 CH4 metric screw.
- Adaptable to 58x56 headrail with lower opening.
- Anti-rotation interior knurling.
- Easy insert and slide.

**Ø TIGHTENING**
**HEADRAIL**
**REFERENCE**

46

58x56

**7075.PA**

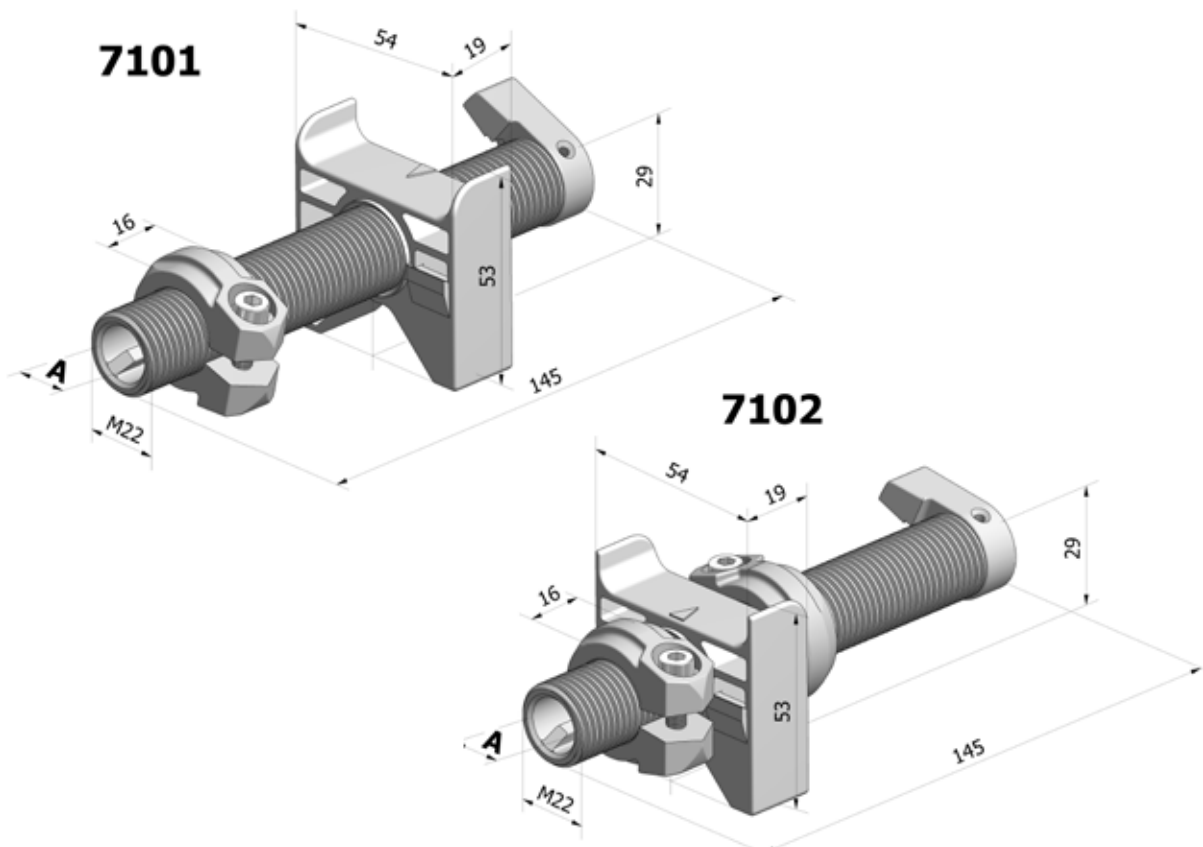
**7080.P**

**7085.PU**

**Ref. 7080.P**

- Structure in Nylon.
- Tightening with 2 self-tapping screws.
- Adaptable to 57x51 headrail with upper opening.
- Anti-rotation interior knurling.

**Ref. 7085.PU**

- Structure in POM.
- Tightening with metric screw and cube.
- Adaptable to 57x51 headrail with lower opening.
- Anti-rotation interior knurling.

Ø TIGHTENING	HEADRAIL	REFERENCE
46	57x51	<b>7080.P</b>
46	57x51	<b>7085.PU</b>

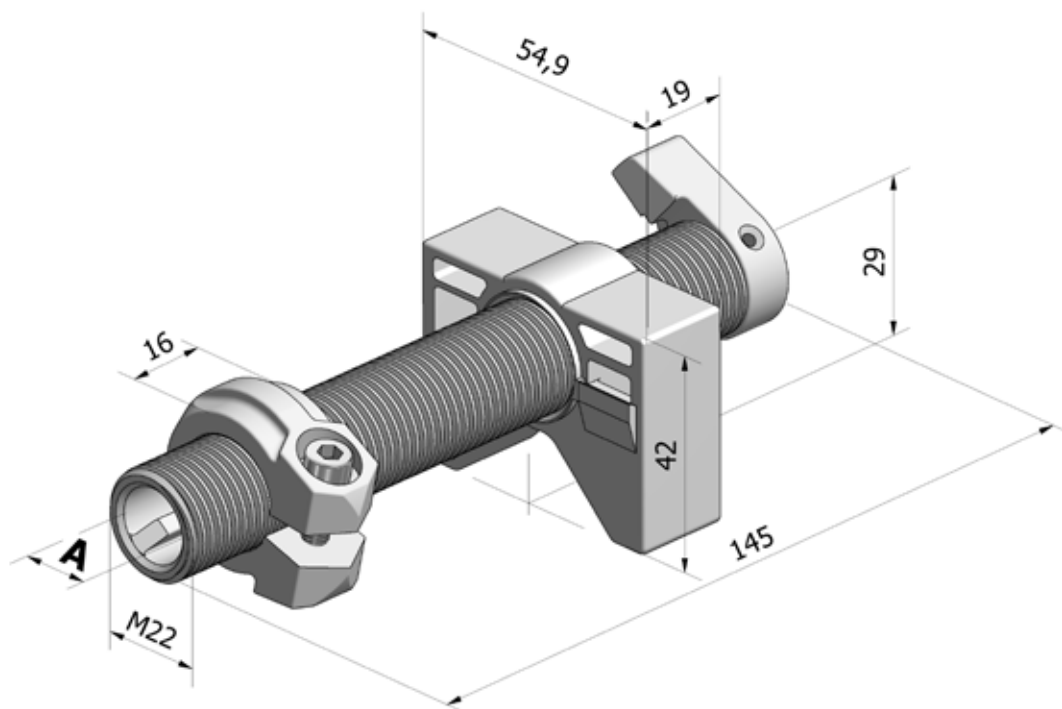


- Screw structure in Nylon reinforced with fibre glass, with anti-rotation external knurling.
- Internal mechanism in POM reinforced with fibre glass.
- Bracket in Nylon reinforced with fibre glass with anti-rotation interior knurling.
- Adjustable up to 48 cycles.

Max. instant torque: **6 Nm**

Operating torque: **3 Nm**

INPUT A	HEADRAIL	REFERENCE
☐ 14	58x56	<b>7101.01</b>
☐ 12	58x56	<b>7101.05</b>
☐ 14	58x56	<b>7102.01</b>
☐ 12	58x56	<b>7102.05</b>

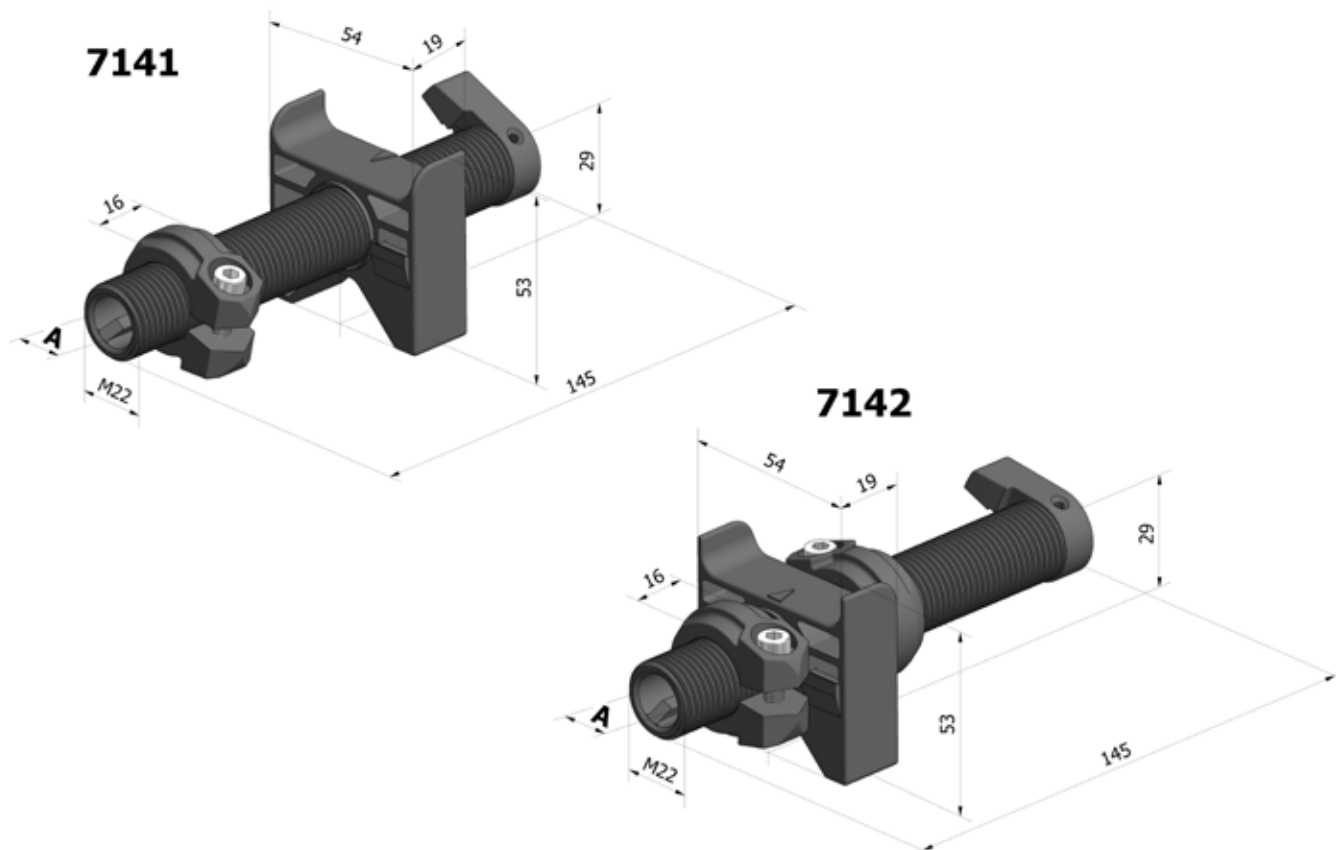


- Screw structure in Nylon reinforced with fibre glass, with anti-rotation external knurling.
- Internal mechanism in POM reinforced with fibre glass.
- Bracket in fibre glass reinforced Nylon with anti-rotation interior knurling.
- Adjustable up to 48 cycles.

 Max. instant torque: **6 Nm**

 Operating torque: **3 Nm**

INPUT A	HEADRAIL	REFERENCE
⊕ 14	57x51	<b>7121.01</b>
□ 12	57x51	<b>7121.05</b>
⬡ 8	57x51	<b>7121.07</b>



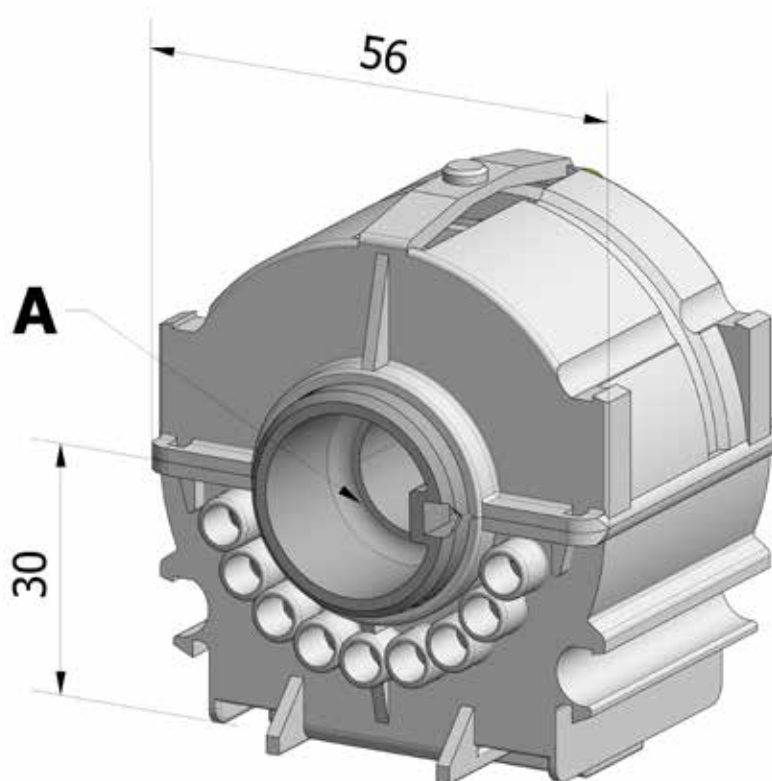
- Screw structure in Nylon reinforced with fibre glass, with anti-rotation external knurling.
- Internal mechanism in POM reinforced with fibre glass.
- Bracket in fibre glass reinforced Nylon with anti-rotation interior knurling.
- Adjustable up to 48 cycles.

Max. instant torque: **5 Nm**

Operating torque: **3 Nm**

INPUT A	HEADRAIL	REFERENCE
☺ 14	58x56	<b>7141.01</b>
☐ 12	58x56	<b>7141.05</b>
☺ 14	58x56	<b>7142.01</b>
☐ 12	58x56	<b>7142.05</b>





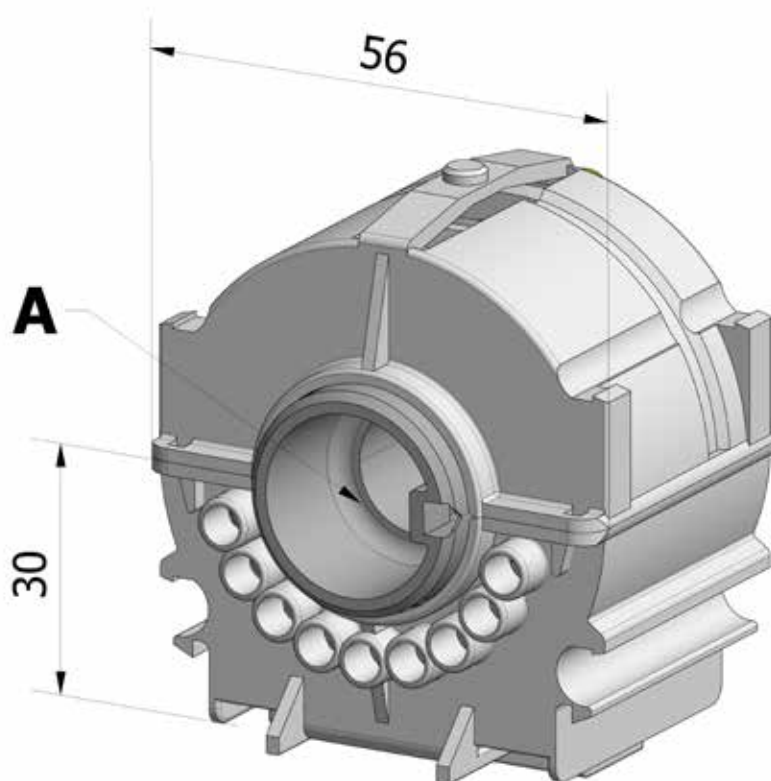
- Case in POM.
- Internal rotation mechanism in Nylon.
- Fit for 57x51 and 58x56 mm headrail.
- Adjustable for 6 mm or 8 mm lift tape.
- With steel spring brake - Lockable slats position, perfect closing.
- Adaptable to headrail, with upper and lower opening.

Maximum applicable weight:

**4 Kg each tilt and raise mechanism**

TAPE ROLL SUPPORT	REFERENCE	BALL CORD	REFERENCE
A Ø 14 mm	<b>7160.01 M</b>	<b>With one fix ball cord</b>	
A □ 12 mm	<b>7160.05 M</b>	Ball distance 30 mm	<b>7168</b>
A □ 7 mm	<b>7160.03 M</b>	Ball distance 158 mm	<b>7170</b>
A ◻ 8 mm	<b>7160.07 M</b>	(2 Ball) ● - - - ●	
		<b>Ball cord over rotation mechanism</b>	
<b>ACCESSORY</b>		Ball distance 120 mm	<b>7159</b>
Ball coupling	<b>7178</b>	Ball distance 150 mm	<b>7154</b>
		(3 Ball) ● - - - ● - - - ●	

In 250 m rolls

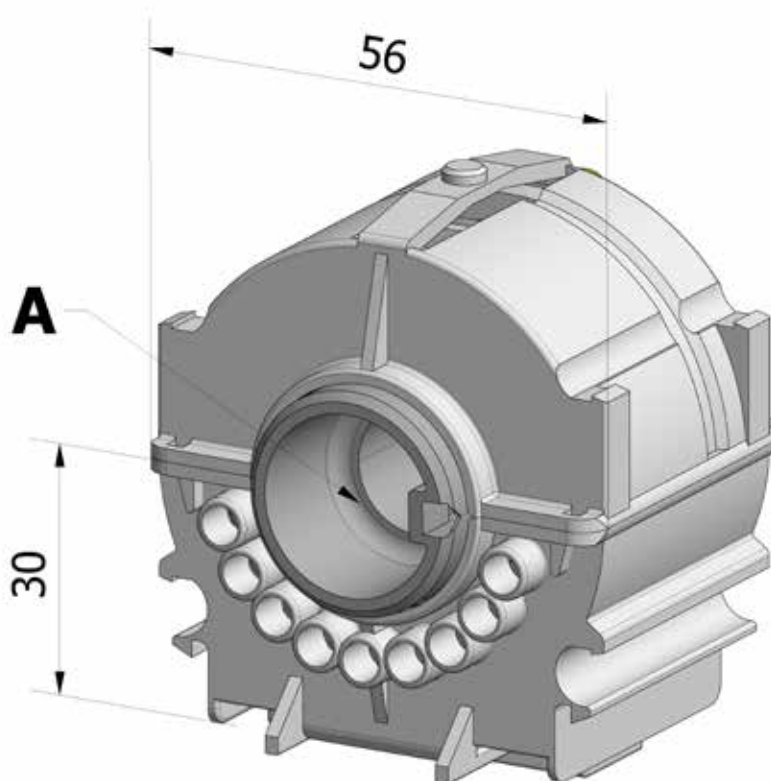


- Case in POM.
- Internal rotation mechanism in Nylon.
- Fit for 57x51 and 58x56 mm headrail.
- Adjustable for 6 mm or 8 mm lift tape.
- With sliding shoe.
- Adaptable to headrail, with upper and lower opening.

Maximum applicable weight:

**4 Kg each tilt and raise mechanism**

OUTPUT A	SLATS	REFERENCE
∅ 14 mm	50 - 65 mm	<b>7160.01C50</b>
∅ 14 mm	70 - 90 mm	<b>7160.01C90</b>
□ 12 mm	50 - 65 mm	<b>7160.05C50</b>
□ 12 mm	70 - 90 mm	<b>7160.05C90</b>
□ 7 mm	50 - 65 mm	<b>7160.03C50</b>
□ 7 mm	70 - 90 mm	<b>7160.03C90</b>
<b>Ball coupling REF. 7178</b>	<b>3 ball cord</b> 135 mm 135 mm ● - - - ● - - - ●	<b>REF. 7180</b>



- Case in POM.
- Internal rotation mechanism in Nylon.
- Fit for 57x51 and 58x56 mm headrail.
- Adjustable for 6 mm or 8 mm lift tape.
- With sliding shoe.
- Adaptable to headrail, with upper and lower opening.

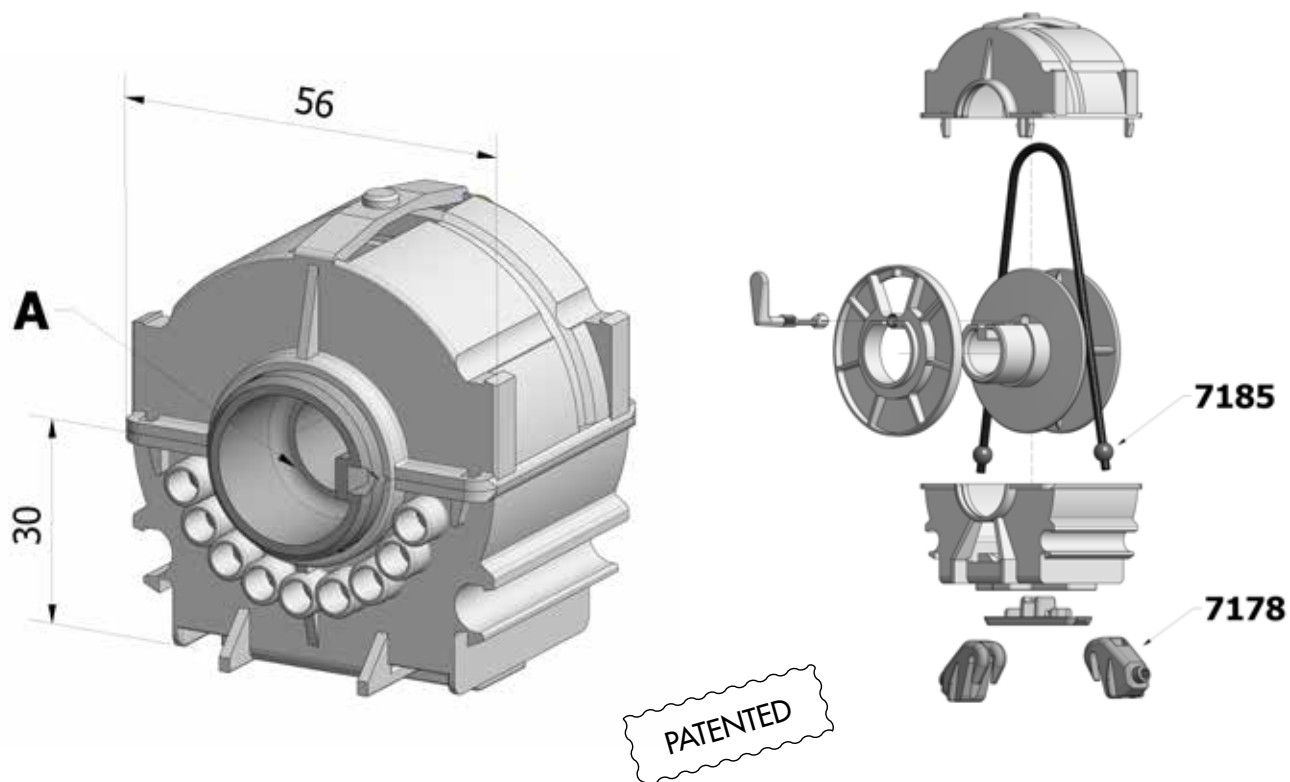
Maximum applicable weight:

**4 Kg each tilt and raise mechanism**

OUTPUT A		SLATS	REFERENCE
∅ 14 mm		50 - 65 mm	<b>7161.01C50P3</b>
∅ 14 mm		70 - 90 mm	<b>7161.01C90P3</b>
□ 12 mm		50 - 65 mm	<b>7161.05C50P3</b>
□ 12 mm		70 - 90 mm	<b>7161.05C90P3</b>
□ 7 mm		50 - 65 mm	<b>7161.03C50P3</b>
□ 7 mm		70 - 90 mm	<b>7161.03C90P3</b>
<b>Ball coupling</b>	<b>REF. 7178</b>	<b>3 ball cord</b> 110 mm 160 mm	<b>REF. 7182</b>



In 250 m rolls

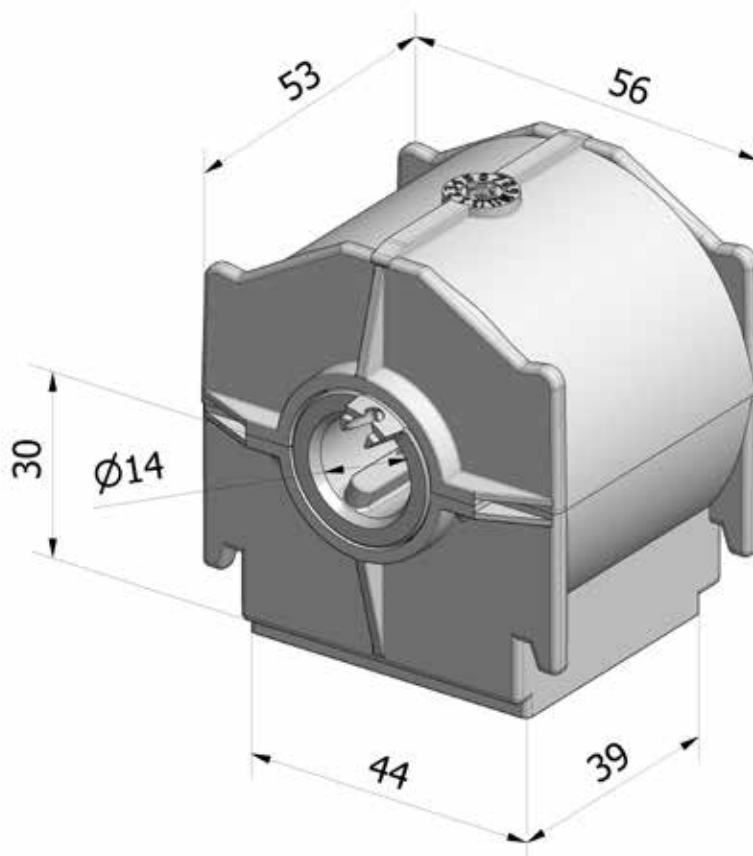


- Case in POM.
- Internal rotation mechanism in Nylon.
- Fit for 57x51 and 58x56 mm headrail.
- Adjustable for 6 mm or 8 mm lift tape.
- Slats position self-blocking.
- Adaptable to headrail, with upper and lower opening.

Maximum applicable weight:

**4 Kg each tilt and raise mechanism**

OUTPUT A		REFERENCE	
∅ 14 mm		<b>7160.01N</b>	
□ 12 mm		<b>7160.05N</b>	
<b>Ball coupling</b>	<b>REF. 7178</b>	<b>2 ball cord</b>	<b>REF. 7185</b>
		250 mm	
		● - - - - - ●	
		In 250 m rolls	

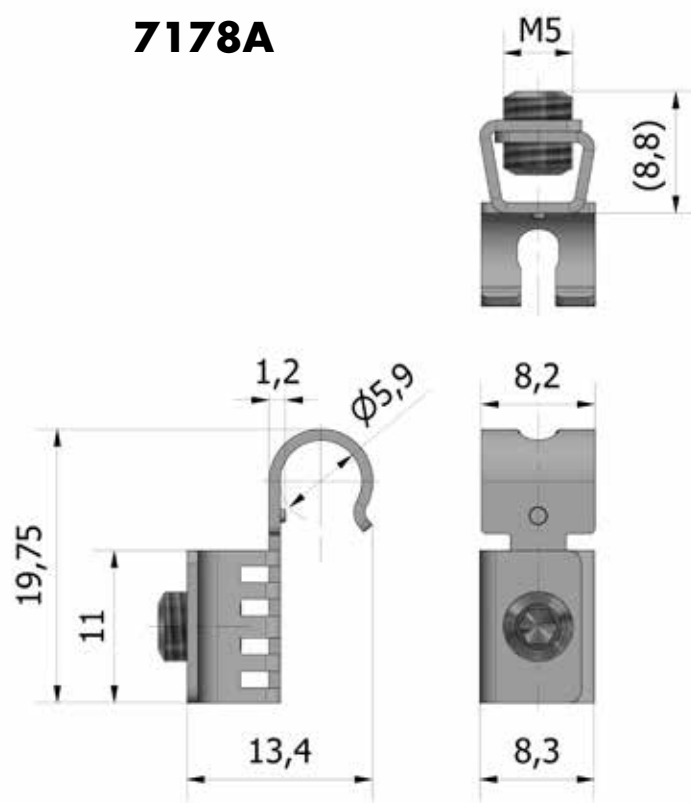


- Case in Nylon.
- Internal rotation mechanism in POM.
- Adaptable to 58x56 headrail.
- Slats position unlocked.

Maximum applicable weight:

**4 Kg each tilt and raise mechanism**

REFERENCE	BALL CORD	REFERENCE
<b>7166</b>	Ball distance 30 mm ● - - - - ●	<b>7168</b>
	Ball distance 158 mm ● - - - - ●	<b>7170</b>
	(In 250 m rolls)	
	<b>Ball coupling</b>	<b>7178</b>
	<b>Stop-Ring with screw</b>	<b>7176</b>

**7178****7178A****Ref. 7178**

- POM material.
- M5 flat screw DIN 913 A2.
- Fit for ball cord  $\varnothing$  5,8.

**Ref. 7178A**

- Stainless steel material.
- M5 flat screw DIN 913 A2.
- Fit for ball cord  $\varnothing$  5,8.