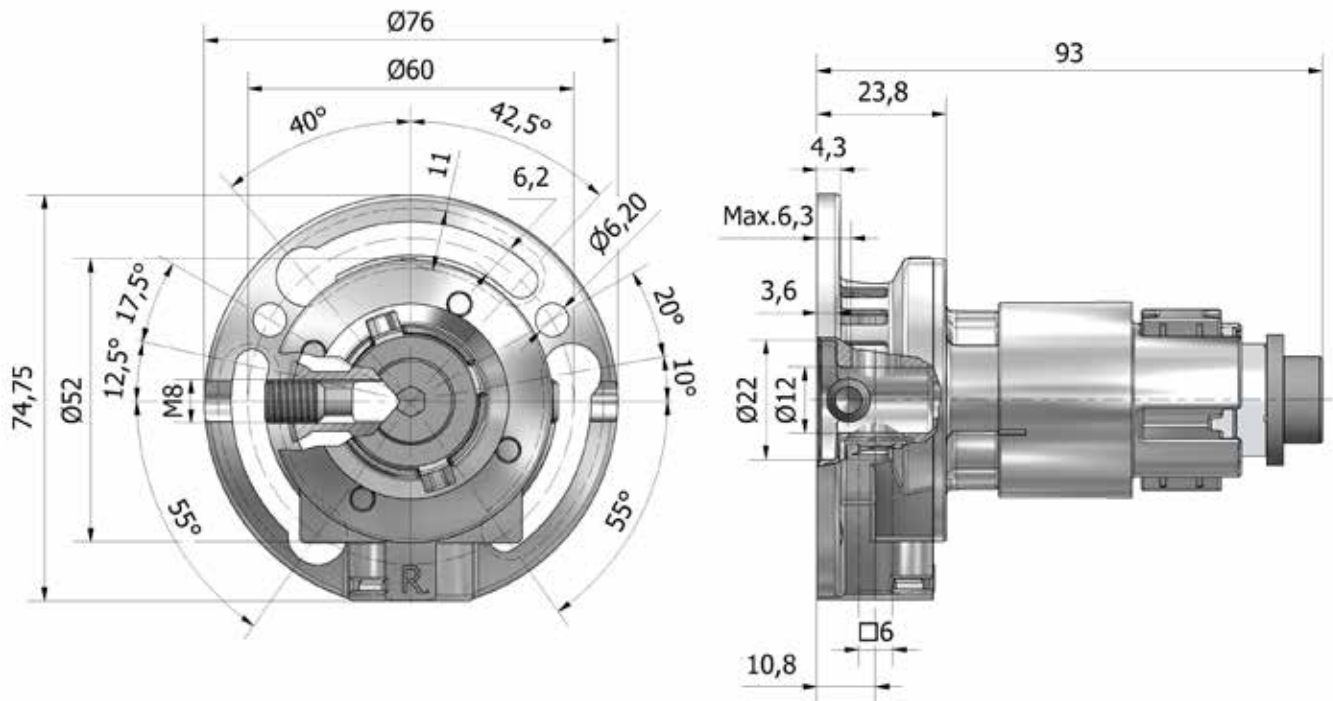


CHERUBINI
tocco italiano dal 1947



**ACCESSORI PER AVVOLGIBILI
KOMPONENTEN FÜR ROLLADEN
ACCESSORIES FOR ROLLING SHUTTERS
COMPOSANTS POUR VOLETS ROULANTS
ACCESORIOS PARA PERSIANA**

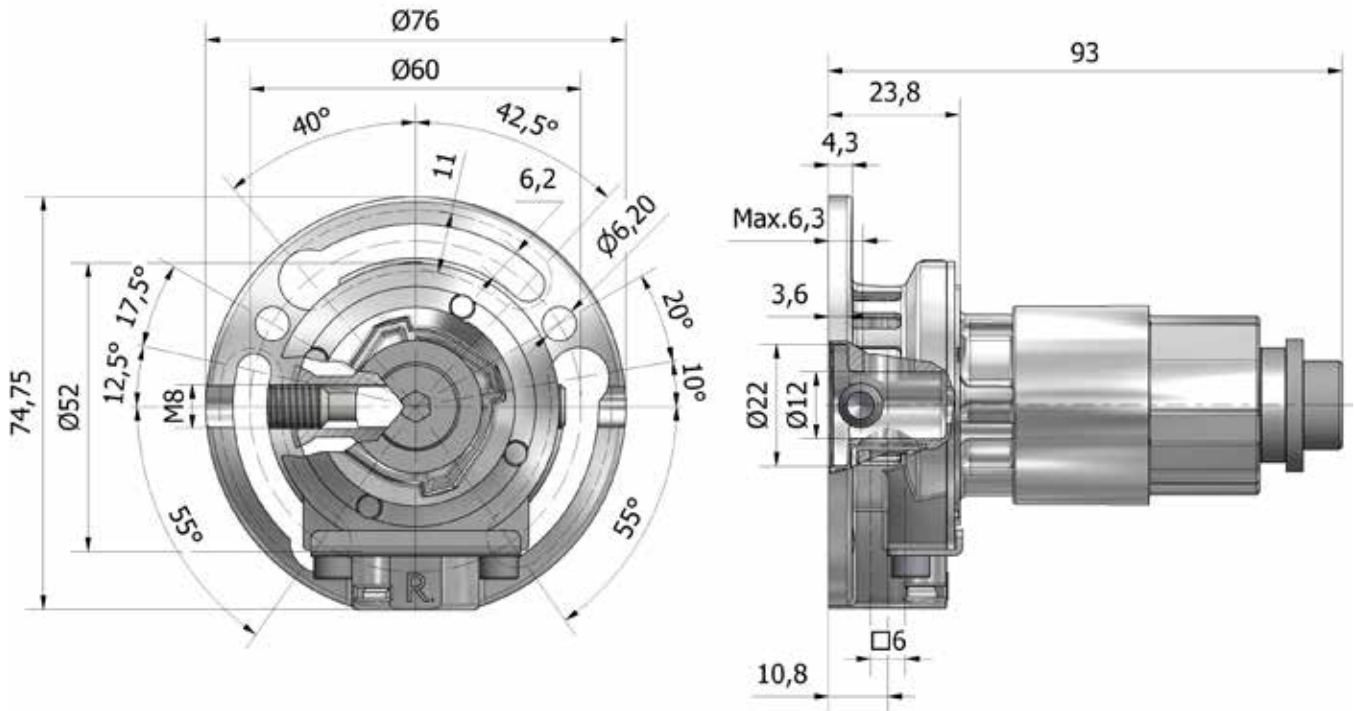


- Gear to use on left or right side (PAT).
- Right and left rotation.
- Integrated screw-less fastening system (PAT).
- Slip-on adapter for 40, 50 and 60 octagonal tube.
- Steel spring-brake.
- Integrated clutch with constant release.
- Material: Zamak.

Efficiency: **0,79**

Max. Charge:
 Tube octagonal 40 mm **20 Kg**
 Tube octagonal 60 mm **14 Kg**
 Max. output torque **8,5 Nm**

ITEM	INPUT	REFERENCE
Gear with freewheel (without adapter)	□6 mm (traversable)	7240.5000.F
Adapter for octagonal tube 40		1549.001
Adapter for octagonal tube 50		1549.003
Adapter for octagonal tube 60		1549.002
Insulating divider Ø 92 mm		1550.040
Universal joint with □6 mm L=120 mm		7914.5012.CHNK

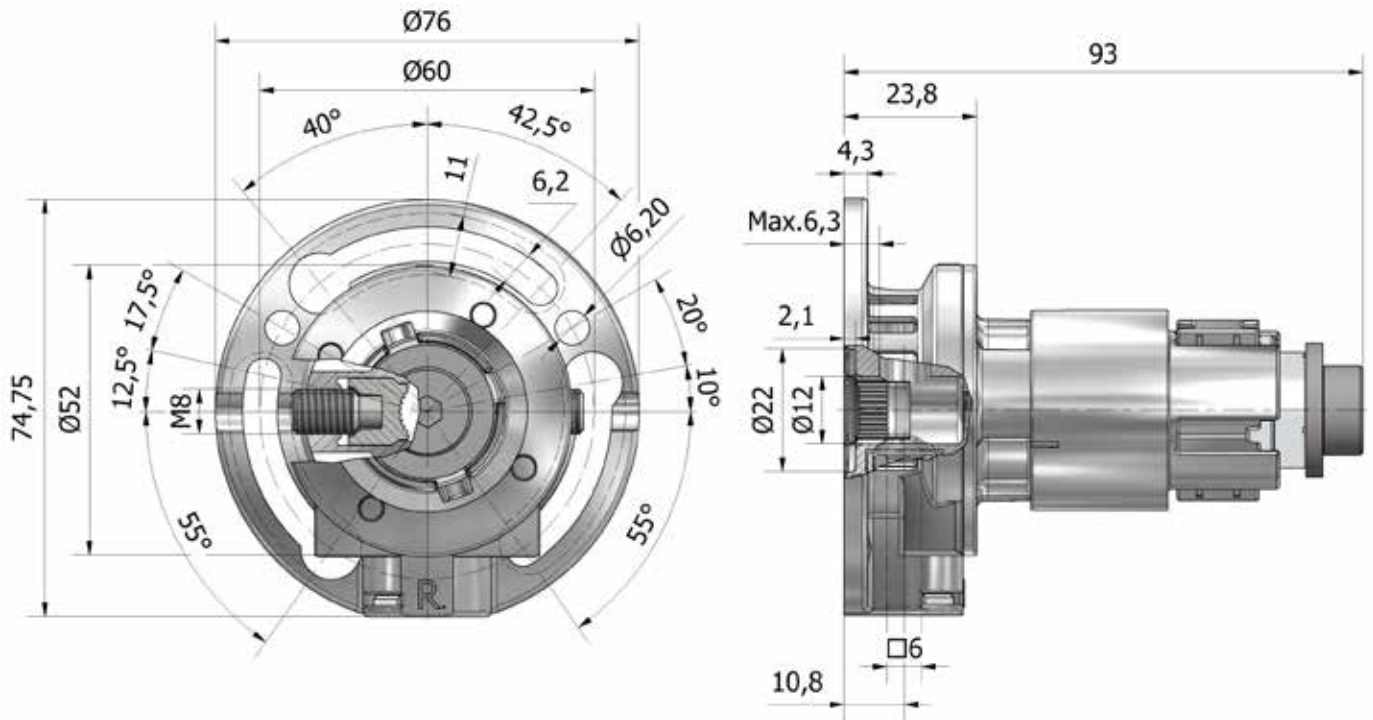


- Gear to use on left or right side (PAT).
- Right and left rotation.
- Integrated screw-less fastening system (PAT).
- Slip-on adapter for 40, 50 and 60 octagonal tube.
- Steel spring-brake.
- With stop 9 turns or without stop.
- Material: Zamak.

Efficiency: **0,79**

Max. Charge:
 Tube octagonal 40 mm **20 Kg**
 Tube octagonal 60 mm **14 Kg**
 Max. output torque **8,5 Nm**

ITEM	INPUT	REFERENCE
Gear with stop (without adapter)	□ 6 mm (traversable)	7240.5000.A
Gear without stop (without adapter)	□ 6 mm (traversable)	7240.5000.N
Adapter for octagonal tube 40		1549.001
Adapter for octagonal tube 50		1549.003
Adapter for octagonal tube 60		1549.002
Insulating divider Ø 92 mm		1550.040
Universal joint with □6 mm L=120 mm		7914.5012.CHNK



- Gear to use on left or right side (PAT).
- Right and left rotation.
- Fixing system with clamps.
- Slip-on adapter for 40, 50 and 60 octagonal tube.
- Steel spring-brake.
- Integrated clutch with constant release.
- Material: Zamak.

Efficiency: **0,79**

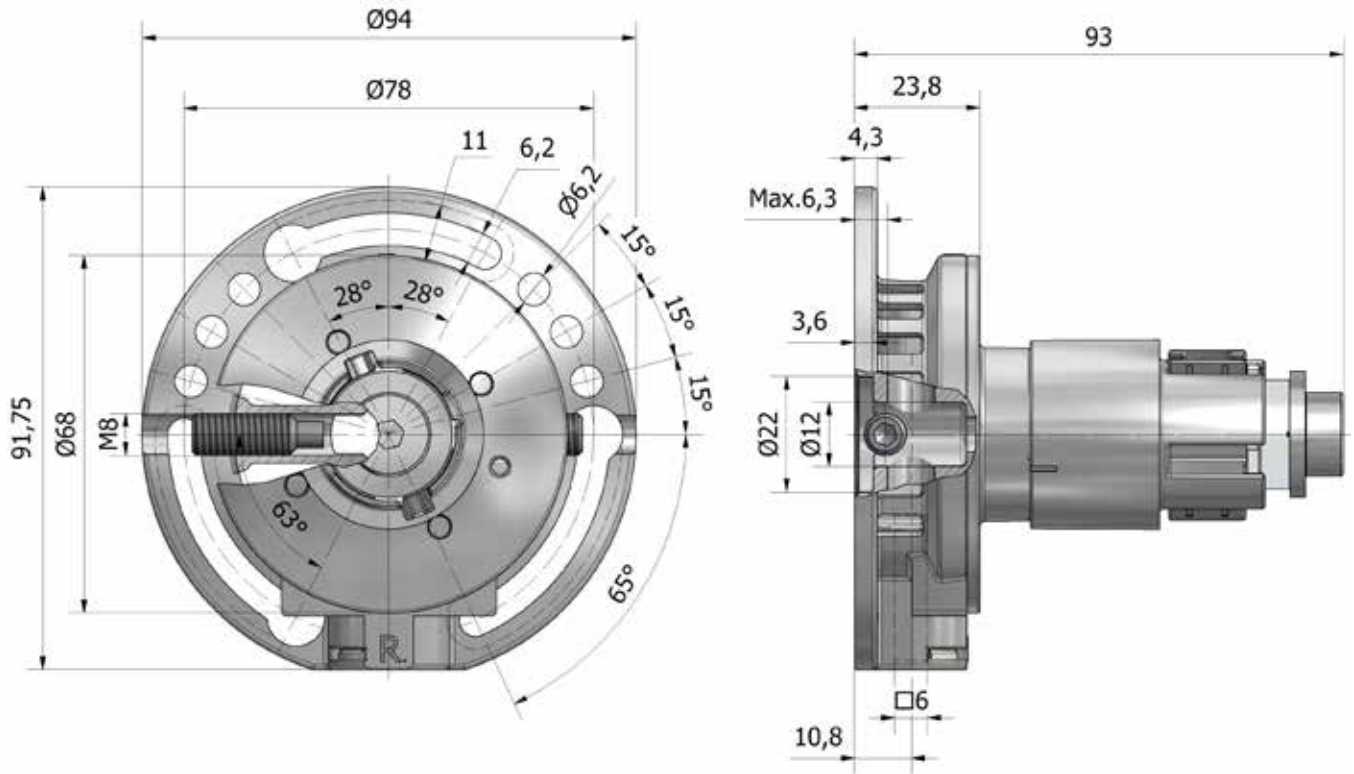
Max. Charge:

Tube octagonal 40 mm **20 Kg**

Tube octagonal 60 mm **14 Kg**

Max. output torque **8,5 Nm**

ITEM	INPUT	REFERENCE
Gear with freewheel (without adapter)	□6 mm (traversable)	7240.5000.FK
Adapter for octagonal tube 40		1549.001
Adapter for octagonal tube 50		1549.003
Adapter for octagonal tube 60		1549.002
Insulating divider Ø 92 mm		1550.040
Universal joint with □6 mm L=120 mm		7914.5012.CHNK

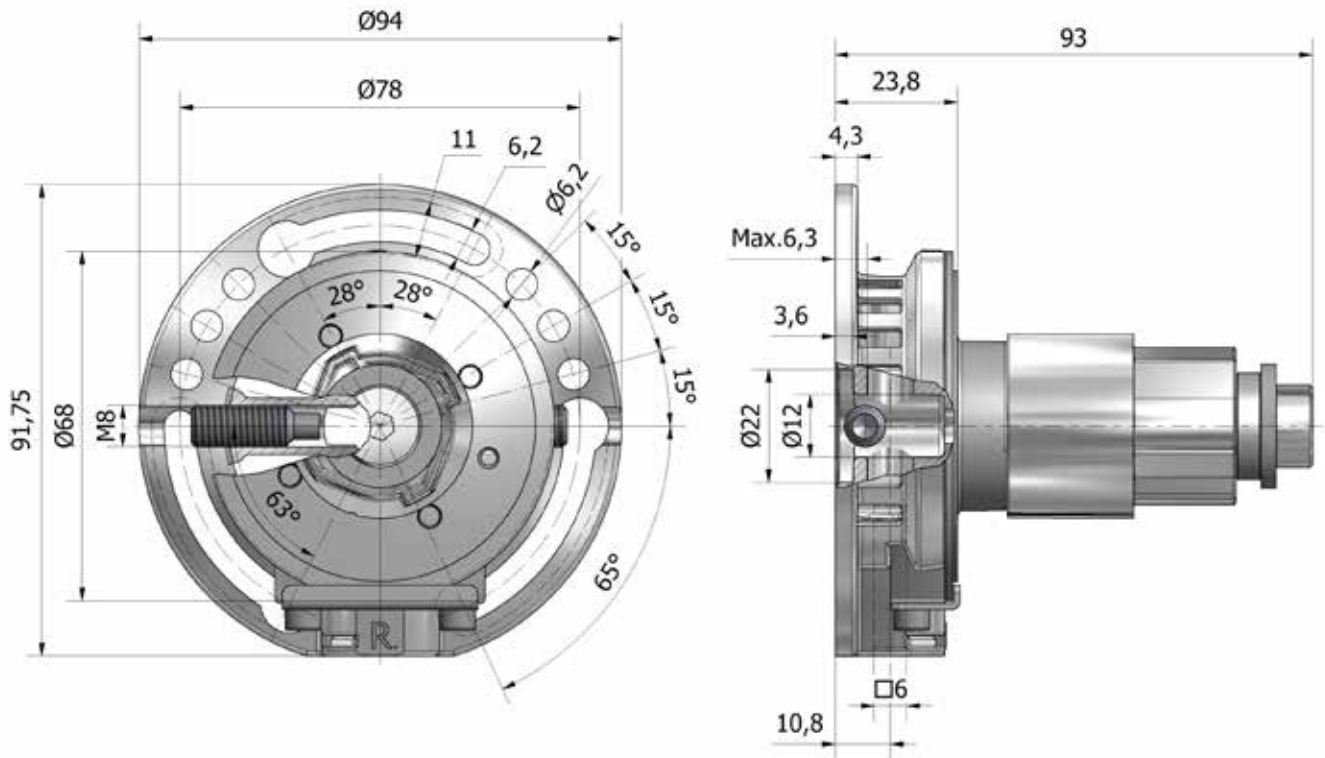


- Gear to use on left or right side (PAT).
- Right and left rotation.
- Integrated screw-less fastening system (PAT).
- Slip-on adapter for 40, 50 and 60 octagonal tube.
- Steel spring-brake.
- Integrated clutch with constant release.
- Material: Zamak.

Efficiency: **0,78**

Max. Charge:
 Tube octagonal 40 mm **27 Kg**
 Tube octagonal 60 mm **20 Kg**
 Max. output torque **11,5 Nm**

ITEM	INPUT	REFERENCE
Gear with freewheel (without adapter)	□ 6 mm (traversable)	7245.5000.F
Adapter for octagonal tube 40		1549.001
Adapter for octagonal tube 50		1549.003
Adapter for octagonal tube 60		1549.002
Insulating divider Ø 92 mm		1550.040
Universal joint with □ 6 mm L=120 mm		7914.5012.CHNK

BEVEL GEAR WITH OR WITHOUT STOP
RATIO 3,6:1


- Gear to use on left or right side (PAT).
- Right and left rotation.
- Integrated screw-less fastening system (PAT).
- Slip-on adapter for 40, 50 and 60 octagonal tube.
- Steel spring-brake.
- With stop 9 turns or without stop.
- Material: Zamak.

 Efficiency: **0,78**

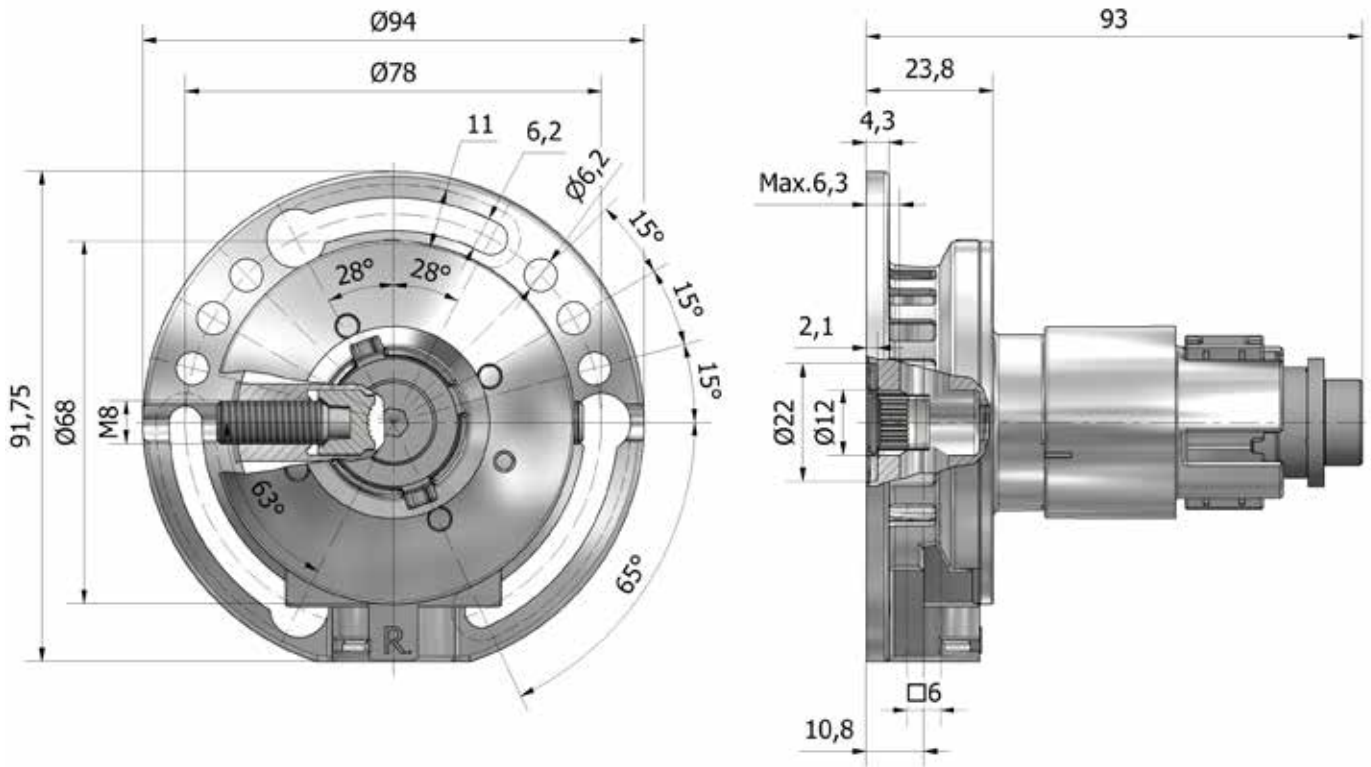
Max. Charge:

 Tube octagonal 40 mm **27 Kg**

 Tube octagonal 60 mm **20 Kg**

 Max. output torque **11,5 Nm**

ITEM	INPUT	REFERENCE
Gear with stop (without adapter)	□ 6 mm (traversable)	7245.5000.A
Gear without stop (without adapter)	□ 6 mm (traversable)	7245.5000.N
Adapter for octagonal tube 40		1549.001
Adapter for octagonal tube 50		1549.003
Adapter for octagonal tube 60		1549.002
Insulating divider Ø 92 mm		1550.040
Universal joint with □ 6 mm L=120 mm		7914.5012.CHNK

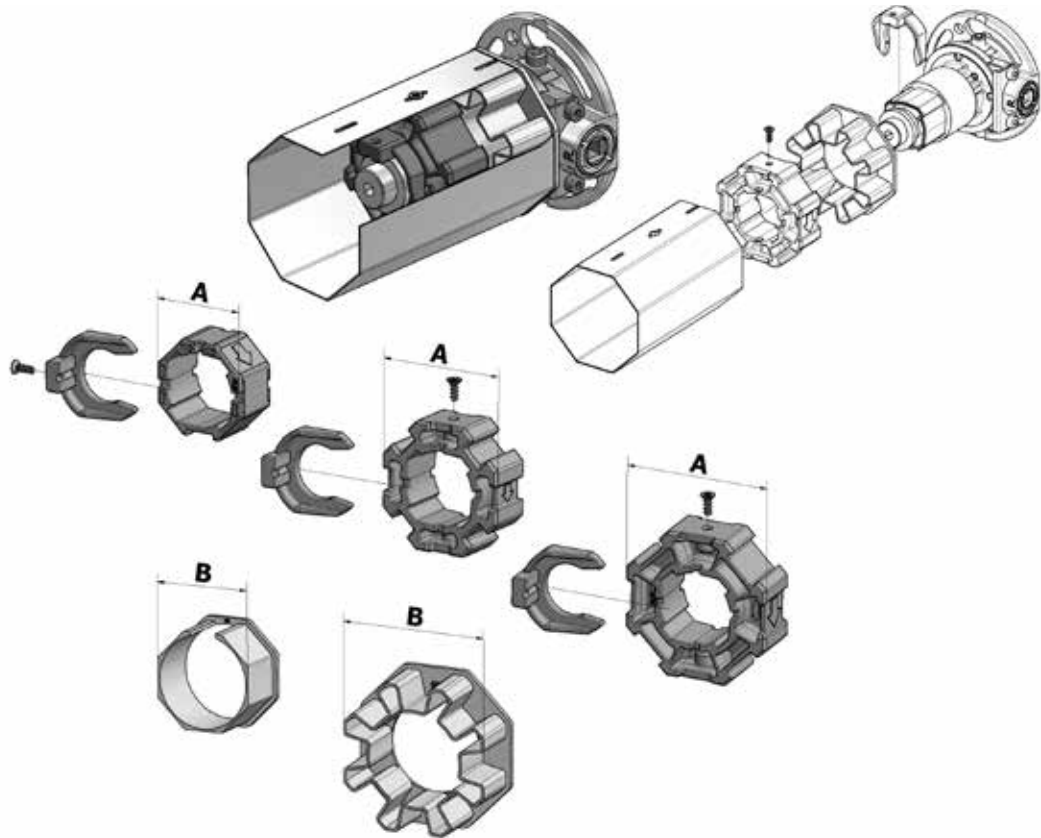


- Gear to use on left or right side (PAT).
- Right and left rotation.
- Fixing system with clamps.
- Slip-on adapter for 40, 50 and 60 octagonal tube.
- Steel spring-brake.
- Integrated clutch with constant release.
- Material: Zamak.

Efficiency: **0,78**

Max. Charge:
 Tube octagonal 40 mm **27 Kg**
 Tube octagonal 60 mm **20 Kg**
 Max. output torque **11,5 Nm**

ITEM	INPUT	REFERENCE
Gear with freewheel (without adapter)	□ 6 mm (traversable)	7245.5000.FK
Adapter for octagonal tube 40		1549.001
Adapter for octagonal tube 50		1549.003
Adapter for octagonal tube 60		1549.002
Insulating divider Ø 92 mm		1550.040
Universal joint with □ 6 mm L=120 mm		7914.5012.CHNK

KIT OCTAGONAL ADAPTER WITH CLIP
KIT ADAPTER-GUIDE OCTAGONAL TUBE
FOR BEVEL GEARS 2,6:1 - 3,6:1

A - KIT OCTAGONAL ADAPTER WITH CLIP

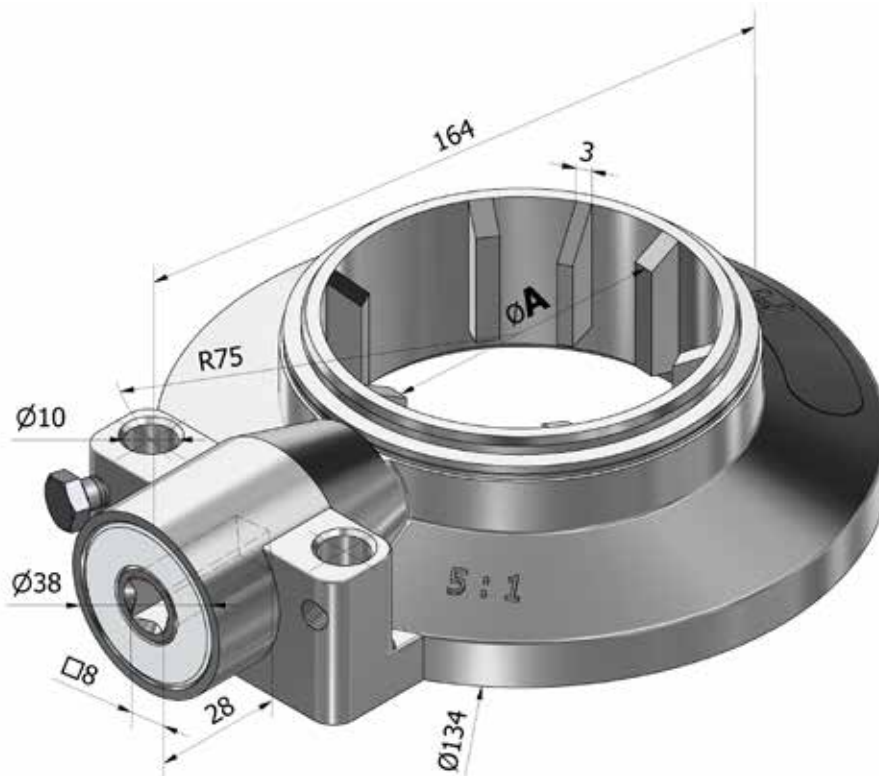
- Adapter and clip in POM.
- Self-tapping screw in zinc plated steel
- Fits on bevel gears ref. 7240 - 7245.

B - KIT ADAPTER-GUIDE OCTAGONAL TUBE

- Adapter - guide in Nylon.
- Fits on bevel gears ref. 7240 - 7245.

A	REFERENCE
40	1549001
50	1549003
60	1549002

B	REFERENCE
40	1549010
60	1549011

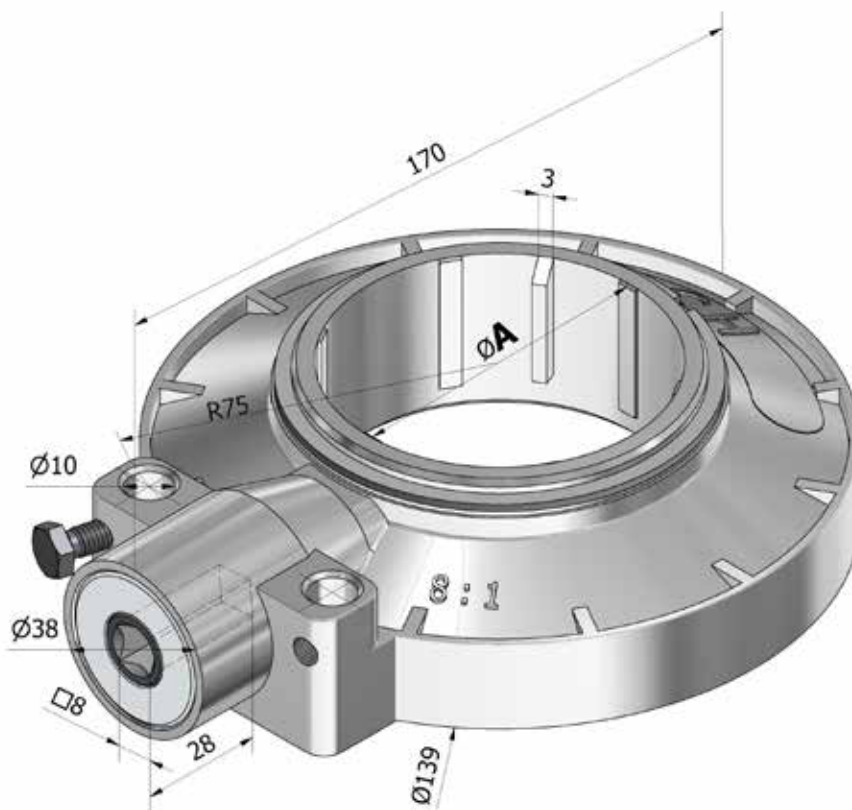


- Case in Zamak.
- Bevel gear in Zamak.
- Steel spring brake.
- Floating on POM bearings.
- Built-in stop at 13 cycles.

Efficiency: **0,56**

Max. Operating torque:
 (20 Kg weight on Ø 70) **2,5 Nm**

OUTPUT A	STOP	REFERENCE
Ø 60	13 cycles	7250
Ø 70	13 cycles	7252
Octagonal 60	13 cycles	7253



- Case in Zamak.
- Bevel gear in Zamak.
- Steel spring brake.
- Floating on POM bearings.
- Built-in stop at 10 cycles.

Efficiency: **0,48**

Max. Operating torque:
(27 Kg weight on Ø 70) **2,5 Nm**

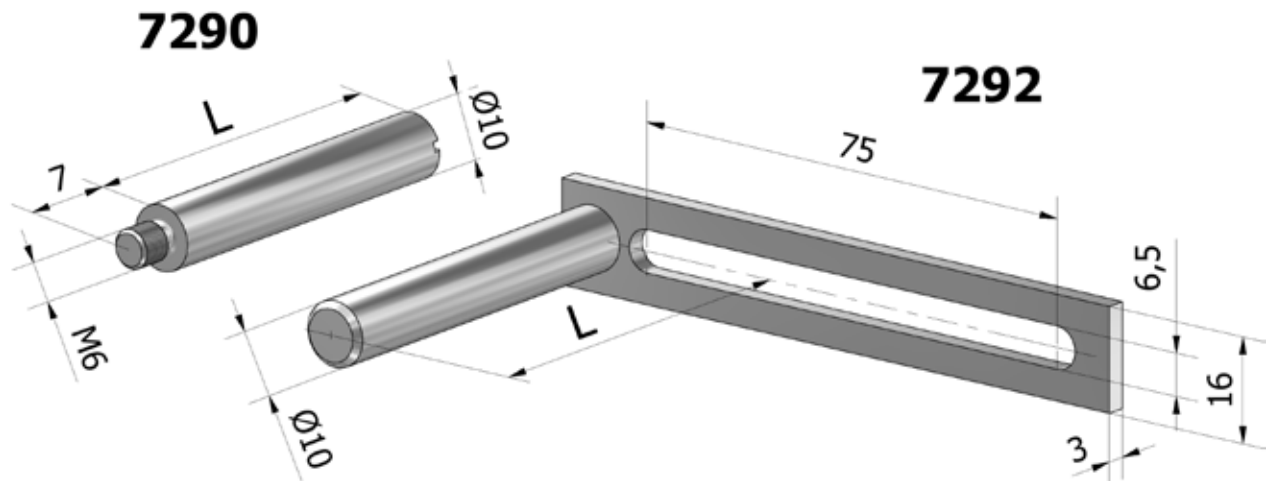
OUTPUT A

Ø 70

STOP

10 cycles

REFERENCE
7280

**REFERENCE****7290.55 - 7290.80**

- Fixing rod.
- In zinc plated steel.

REFERENCE**7292.60 - 7292.80**

- Fixing bolt.
- In zinc plated steel.

LENGTH L**REFERENCE**

55

7290.55

80

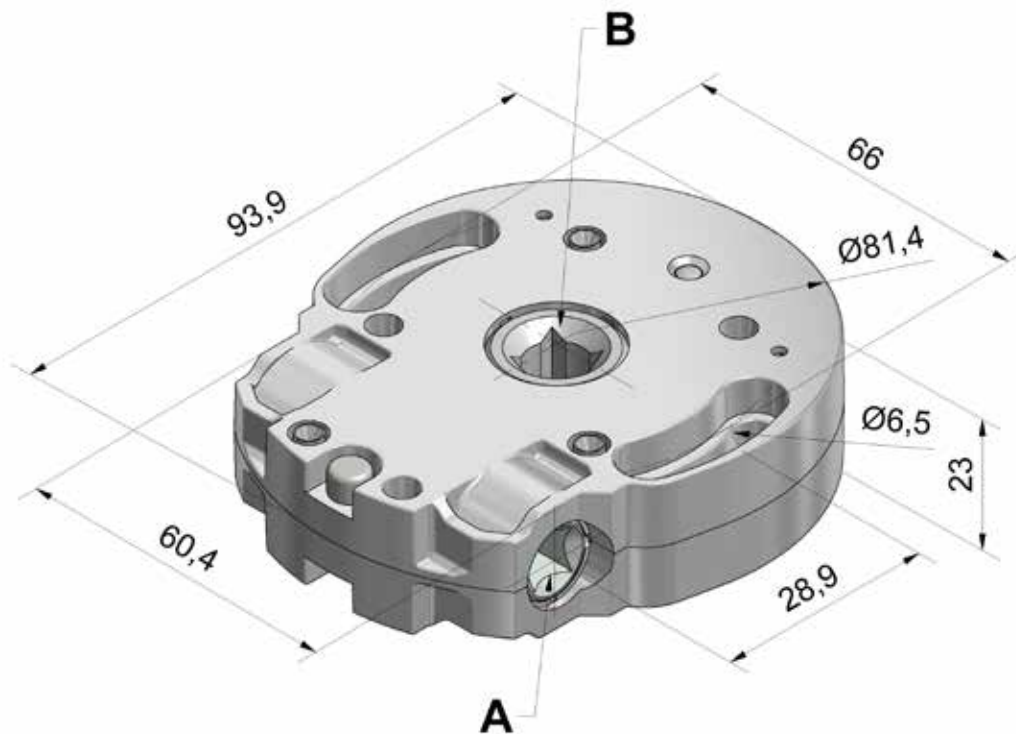
7290.80

60

7292.60

80

7292.80



- Case in Zamak.
- Screw worm in aluminium.
- Crown in brass.
- Self-brake, through bearings.
- With or without stop, adjustable up to 16 cycles.
- One piece sintered steel stop.

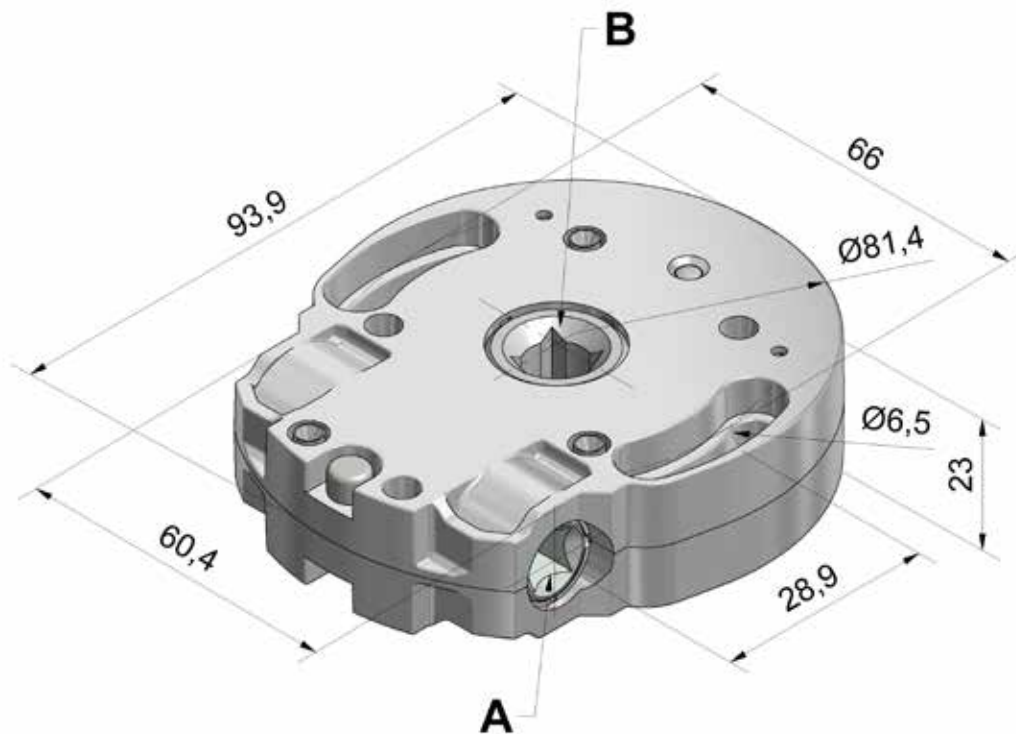
Efficiency:

0,32

Max. Operating torque
with charge of 25 Kg
on tube octagonal 40:
on tube octagonal 60:

2,9 Nm
4,3 Nm

INPUT A	OUTPUT B	REFERENCE With stop	REFERENCE Without stop
⬡ 6	□ 10	7305.60.04.A	7305.60.04.N
⬡ 7	□ 10	7305.70.04.A	7305.70.04.N
□ 8	□ 10	7305.80.04.A	7305.80.04.N
□ 8	⬡ 16	7305.80.15.A	7305.80.15.N

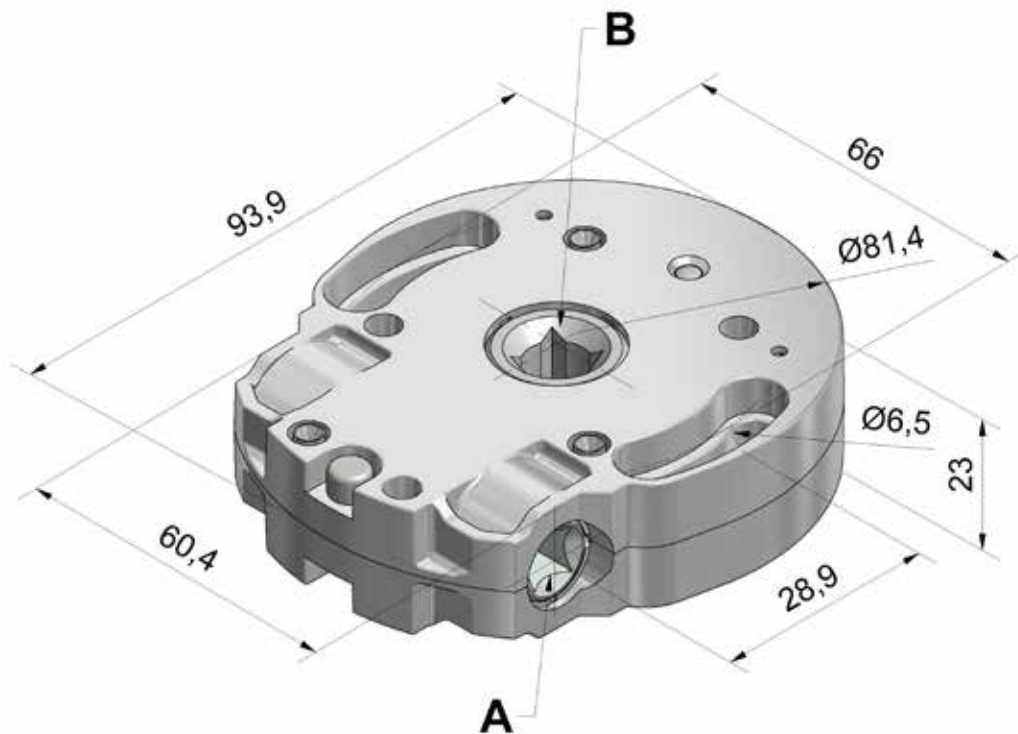


- Case in Zamak.
- Screw worm in aluminium.
- Crown in brass.
- Self-brake, through bearings.
- With or without stop, adjustable up to 16 cycles.
- One piece sintered steel stop.

Efficiency: **0,32**

Max. Operating torque
with charge of 35 Kg
on tube octagonal 40: **2,9 Nm**
on tube octagonal 60: **4,3 Nm**

INPUT A	OUTPUT B	REFERENCE With stop	REFERENCE Without stop
⬡ 6	□ 10	7311.60.04.A	7311.60.04.N
⬡ 7	□ 10	7311.70.04.A	7311.70.04.N
□ 8	□ 10	7311.80.04.A	7311.80.04.N
□ 8	⬡ 16	7311.80.15.A	7311.80.15.N

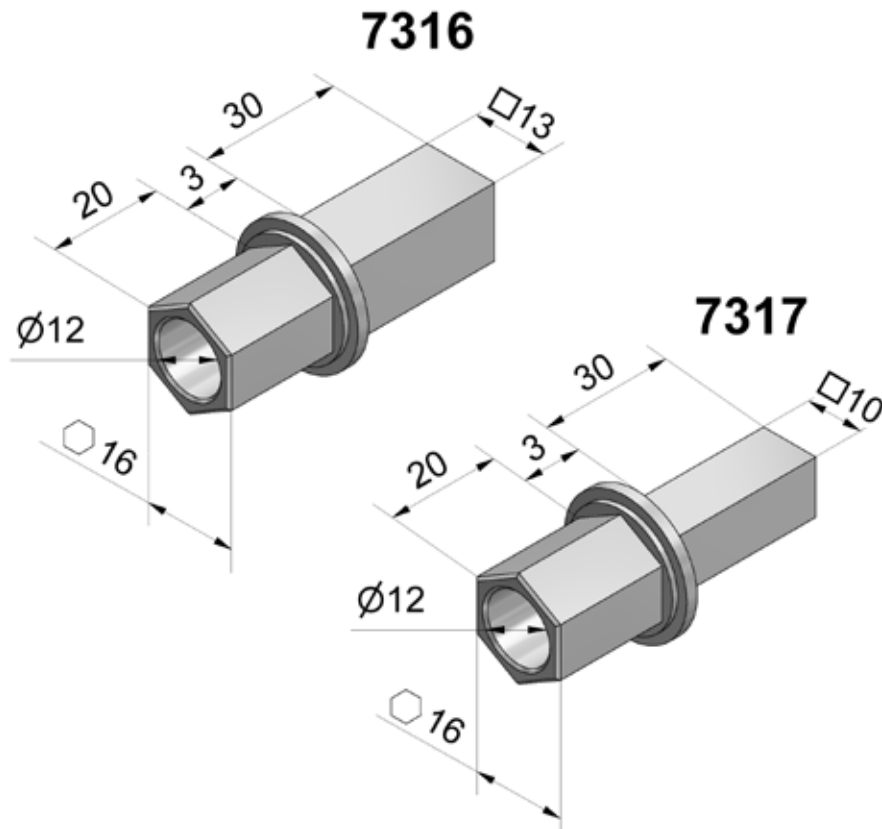


- Case in Zamak.
- Screw worm in aluminium.
- Crown in brass.
- Patented brake, with multiple-friction.
- With or without stop, adjustable up to 16 cycles.
- One piece sintered steel stop.

 Efficiency: **0,32**

 Max. Operating torque
 with charge of 20 Kg
 on tube octagonal 40: **2,9 Nm**
 on tube octagonal 60: **4,3 Nm**

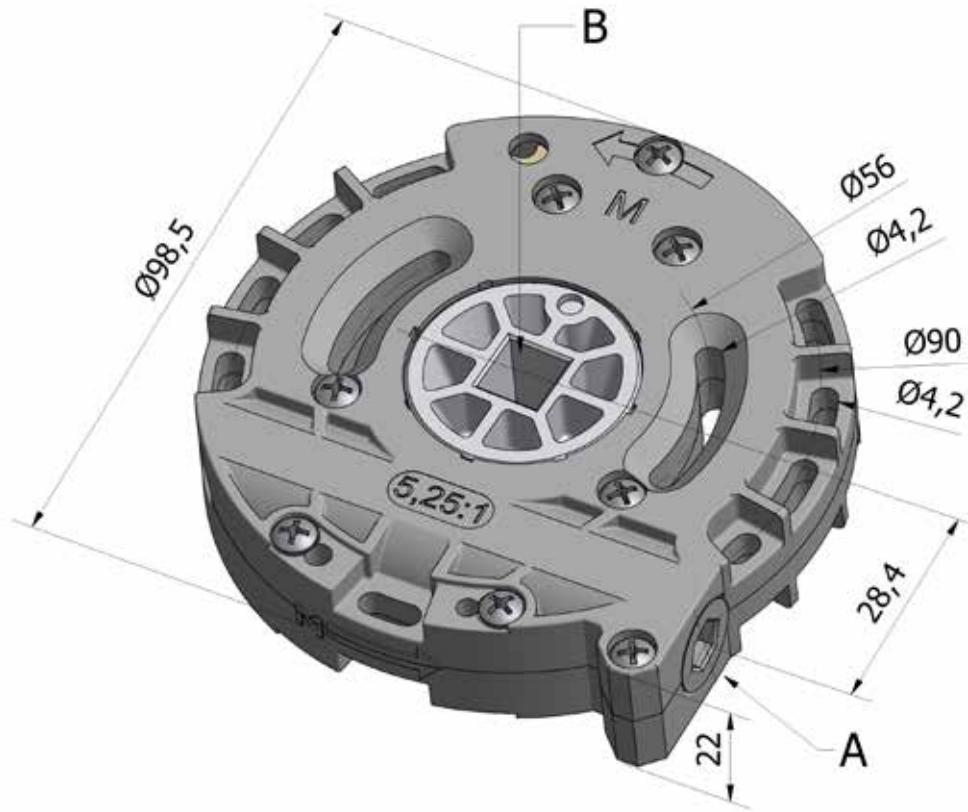
INPUT A	OUTPUT B	REFERENCE With stop	REFERENCE Without stop
⬡ 6	□ 10	7320.60.04.A	7320.60.04.N
⬡ 7	□ 10	7320.70.04.A	7320.70.04.N
□ 8	□ 10	7320.80.04.A	7320.80.04.N
□ 8	⬡ 16	7320.80.15.A	7320.80.15.N



- Material: Zamak.
- Fits to screw worm winch Ref. 7305 - 7311 - 7320 - 7330.

REFERENCE

Pivot 16 mm with hole \varnothing 12 mm and 13 mm	7316
Pivot 16 mm with hole \varnothing 12 mm and 10 mm	7317

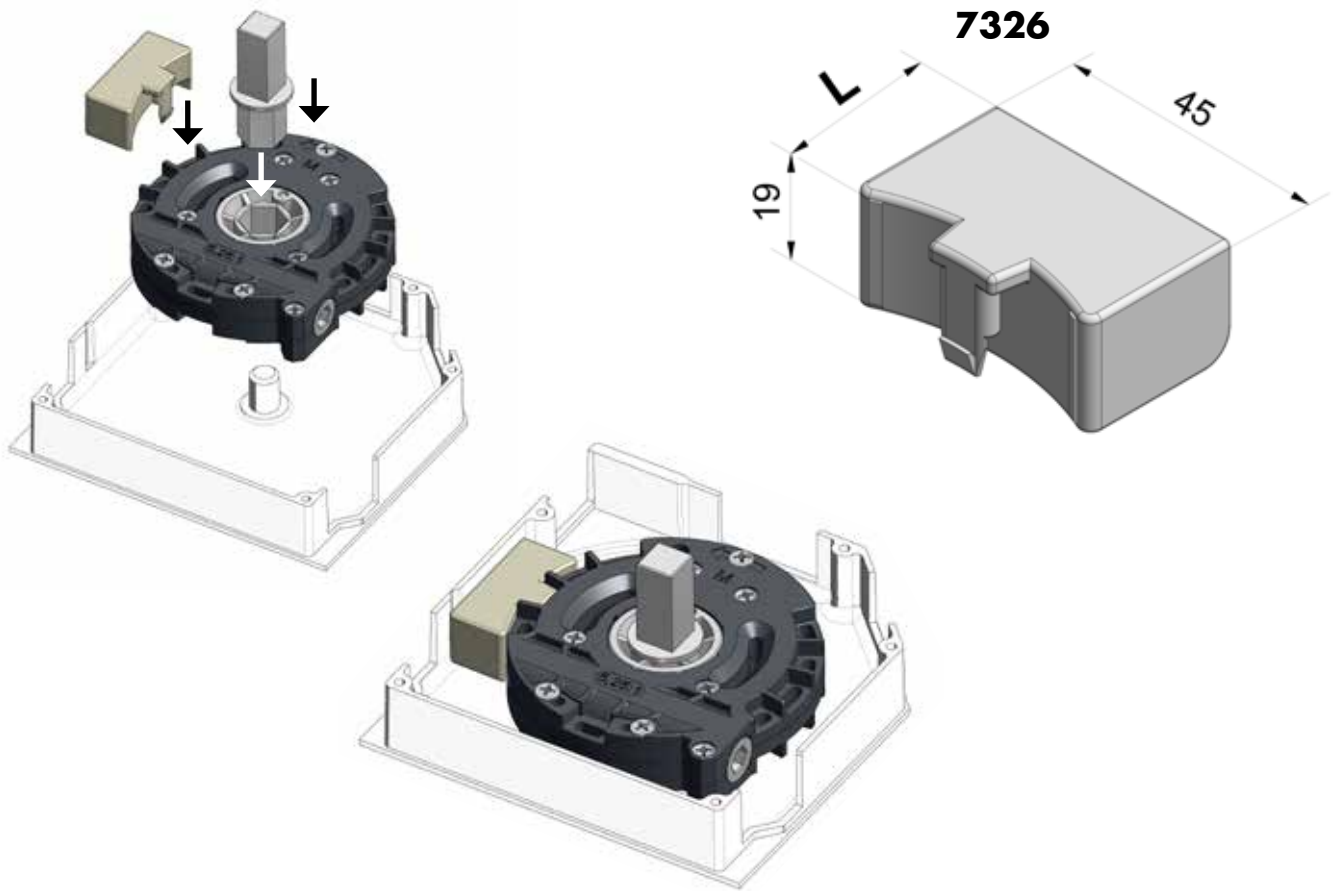


- Case in special synthetic material.
- Screw worm in polyamide reinforced with fibre-glass.
- Crown in POM.
- Steel spring brake.
- With or without stop, adjustable up to 9,75 cycles.
- Clutching device downwards.

 Efficiency: **0,42**

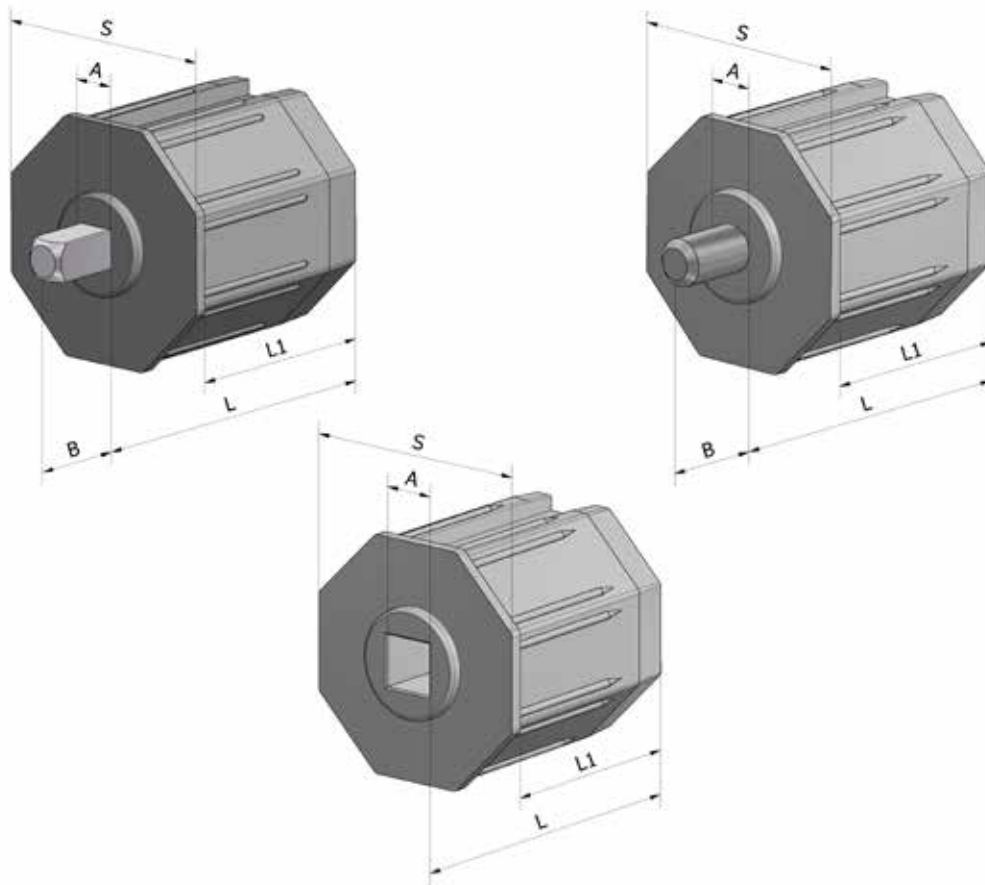
 Max. Operating torque:
 (With charge of 18 Kg
 on tube octagonal 60) **4,5 Nm**

INPUT A	OUTPUT B	REFERENCE	REFERENCE
		With stop	Without stop
□ 6	□ 10	7330.50.04.A	7330.50.04.N
◊ 6	□ 10	7330.60.04.A	7330.60.04.N
◊ 7	□ 10	7330.70.04.A	7330.70.04.N
◊ 7	Crabot 22	7330.70.16.A	7330.70.16.N
◊ 7	Crabot 28	7330.70.17.A	7330.70.17.N



- Plastic material.

LENGTH L	END CAP	REFERENCE
16	125	7326.125
21,6	137	7326.137
28,9	150	7326.150
36,5	165	7326.165
44,1	180	7326.180
57,1	205	7326.205



- Plastic material.
- Pivot zinc plated steel.
- Fit for octagonal shafts 40, 60.

S	A	B	L	L1	REFERENCE
40	□ 13	-	79	73,5	994213CH04
40	□ 10	20	79	73,5	994320CH04
40	□ 7	20	46	42	994420CH04
60	∅ 12	15	145	116	996115CH04L145
60	□ 13	-	63	56,8	996213CH04
60	□ 10	20	63	56,8	996320CH04
60	∅ 12	20	63	56,8	996420CH04