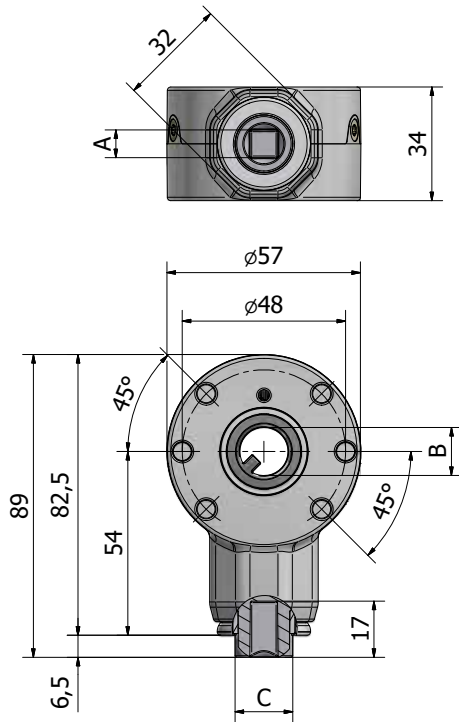


CHERUBINI
tocco italiano dal 1947

ACCESSORI PER VENEZIANE
KOMPONENTEN FÜR JALOUSIEN
ACCESSORIES FOR VENETIAN BLINDS
COMPOSANTS POUR STORES A LAMELLES
ACCESORIOS PARA VENECIANA

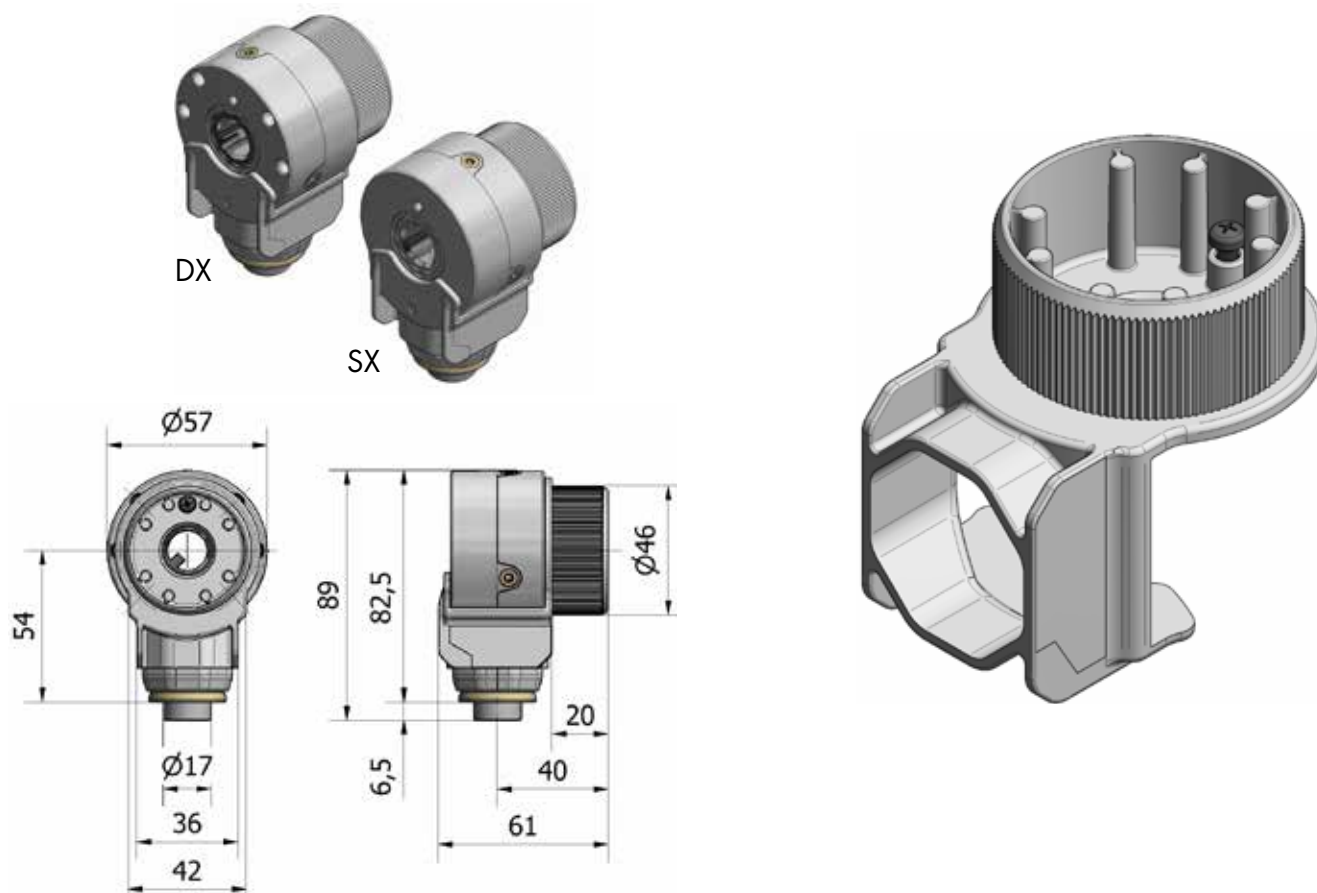


- Bevel gear in Zamak.
- Conic mechanism in Zamak.
- Steel spring brake.
- Floating on ball in Nylon.
- Right and left rotation.
- Can be mounted beside the 57x51 and 58x56 headrail.
- Can be mounted inside of the 58x56 headrail.
- N°6 holes for fixing the gearbox with thread forming screws M6 DIN 7500, holes on pitch circle diameter 48 mm with angles 45°.

Efficiency: **0,60**

Max. output torque: **6 Nm**

INPUT A	OUTPUT B	Ø C	REFERENCE
□ 8	⌚ 14	17	7006.80.01
ADAPTER FOR BRACKETS Ø46 Ref. 7006.A4620			

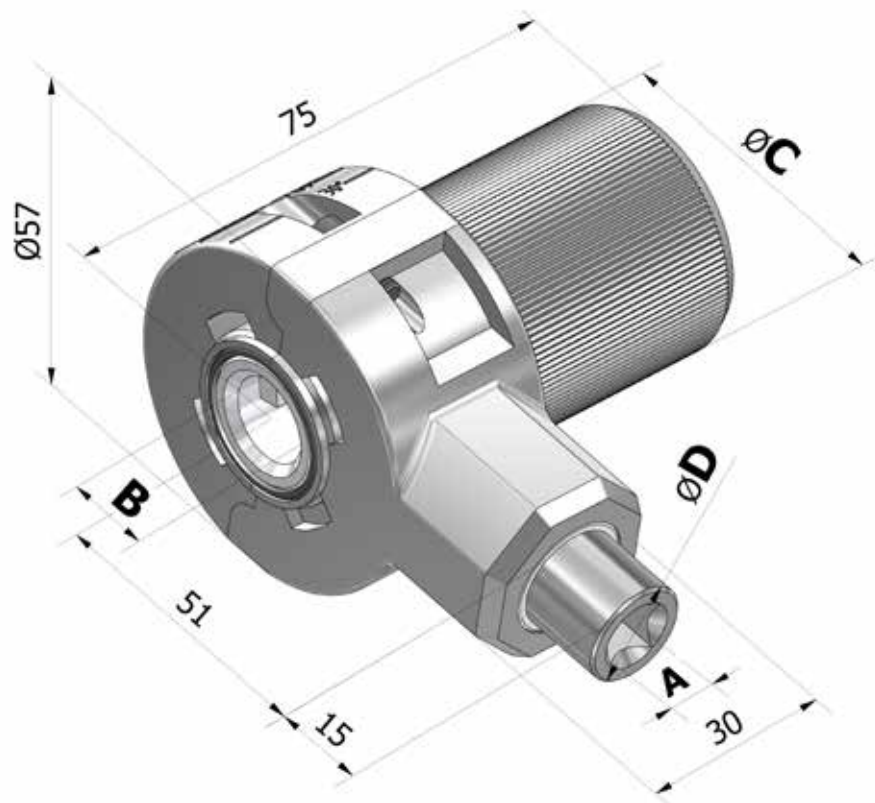


- Structure in Nylon.
- The adaptor fits on the brackets serie:
7073P, 7073PH, 7075PA (58x56 headrail);
7080P, 7075PU (57x51 headrail).
- Right and left rotation.
- Safety screw for the gear anchoring.
- Can be mounted beside the 57x51 and 58x56 headrail.
- Can be mounted inside of the 58x56 headrail.

Overall dimension of the adaptor assembled on the gear.

REFERENCE

7006.A4620

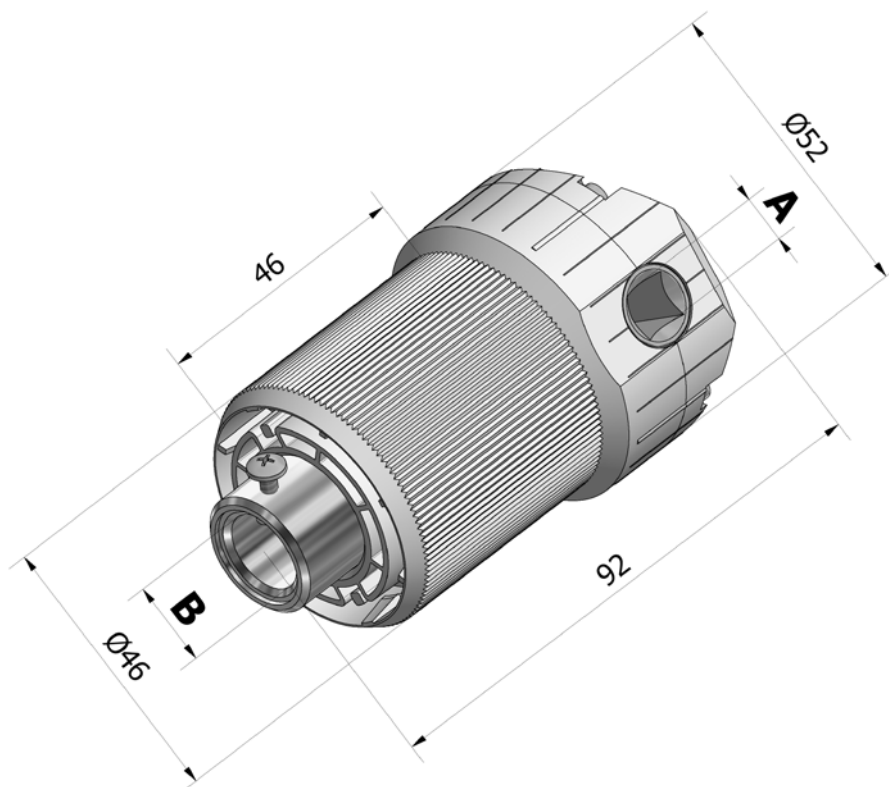


- Bevel gear in Zamak.
- Conic mechanism in Zamak.
- Steel spring brake.
- Floating on ball in Nylon.
- Right and left rotation.

Efficiency: **0,56**

Max. Operating torque:
 (30 Kg weight on Ø 32) **2,9 Nm**

INPUT A	OUTPUT B	Ø C	Ø D	REFERENCE
□ 8	⌚ 14	46	17	7007.80.01
⬡ 6	□ 12	46	12	7007.60.05
⬡ 6	⌚ 14	46	12	7007.60.01



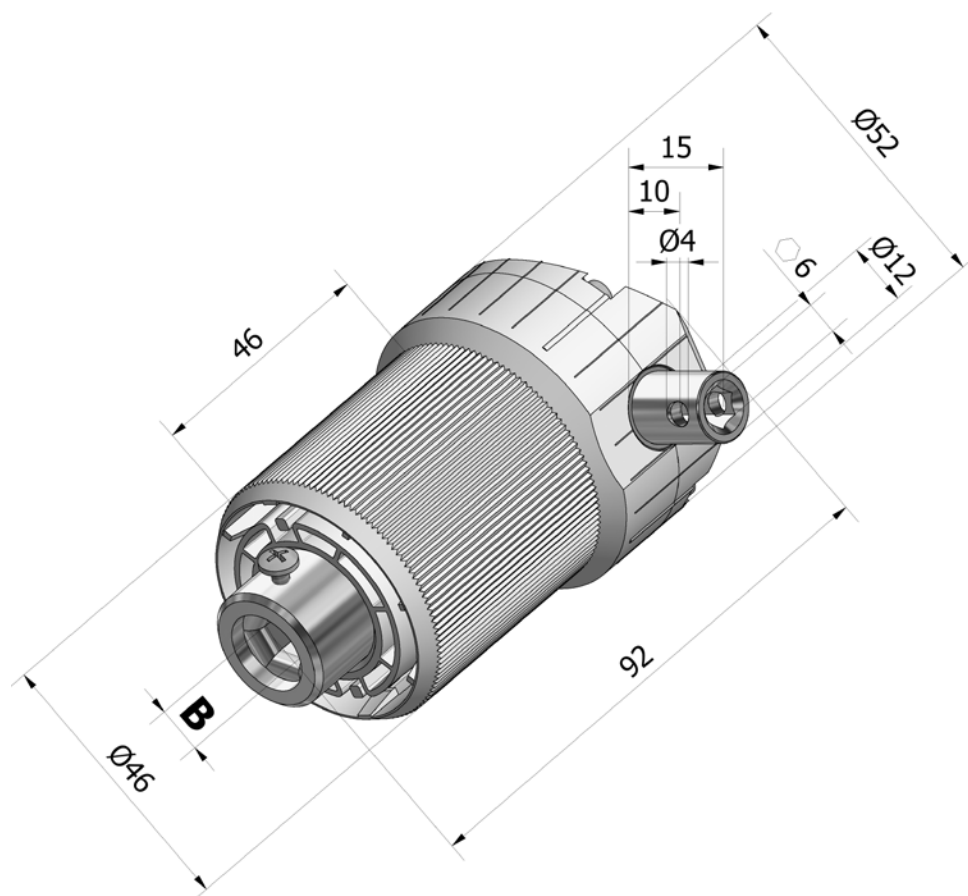
- Case in Nylon.
- Bevel gear in Zamak.
- Steel spring brake.
- Right and left rotation.
- Adaptable to 57x51 and 58x56 headrail.

 Efficiency: **0,60**

 Max. torque output: **5 Nm**

 Operating torque for
 20 Kg weight on Ø 32: **3,2 Nm**

INPUT A	OUTPUT B	REFERENCE
⬡ 6	Ⓜ 14	7012.60.01.N
⬡ 6	□ 7	7012.60.03.N
⬡ 6	⬡ 8	7012.60.07.N
⬡ 6	□ 12	7012.60.05.N
□ 6	Ⓜ 14	7012.50.01.N
□ 8	Ⓜ 14	7012.80.01.N
□ 8	⬡ 11	7012.80.08.N
□ 8	Ⓜ 14 For non-through axle	7012.81.01.N

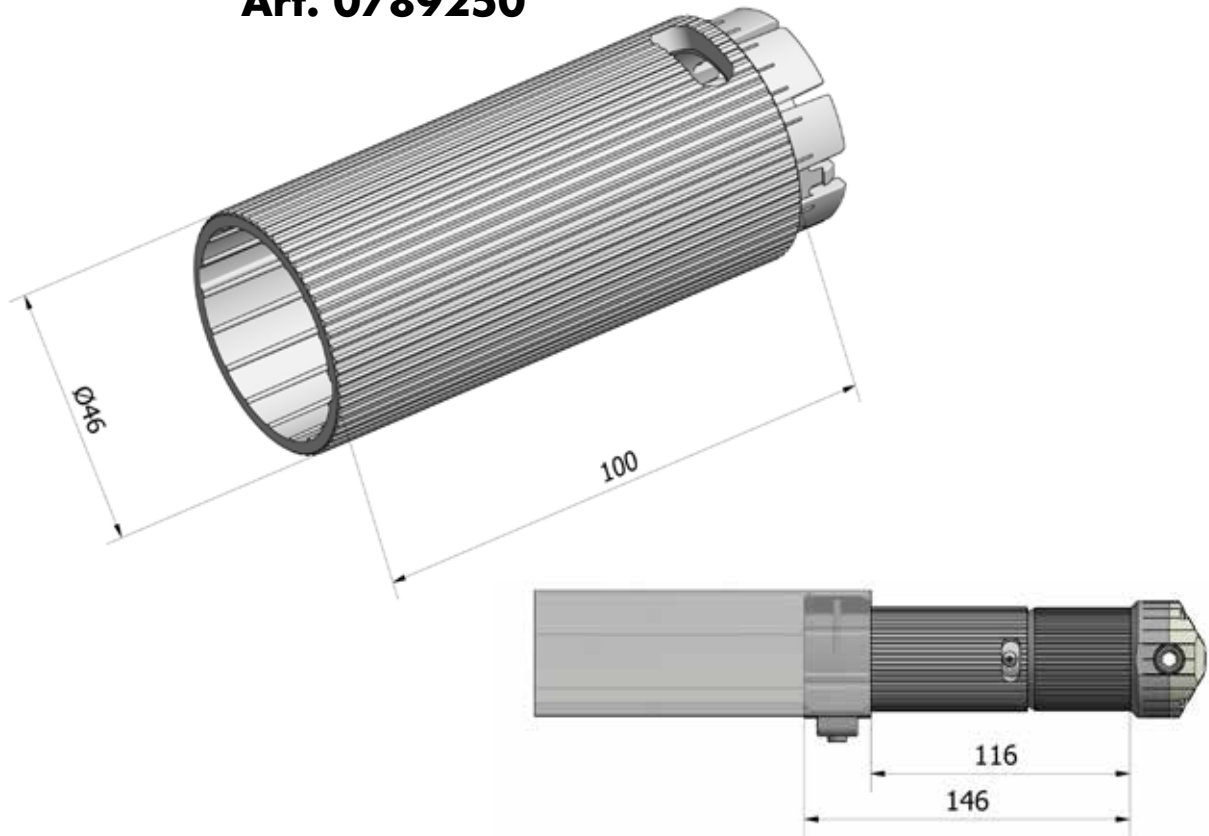


- Case in Nylon.
- Bevel gear in Zamak.
- Steel spring brake.
- Right and left rotation.
- Adaptable to 57x51 and 58x56 headrail.

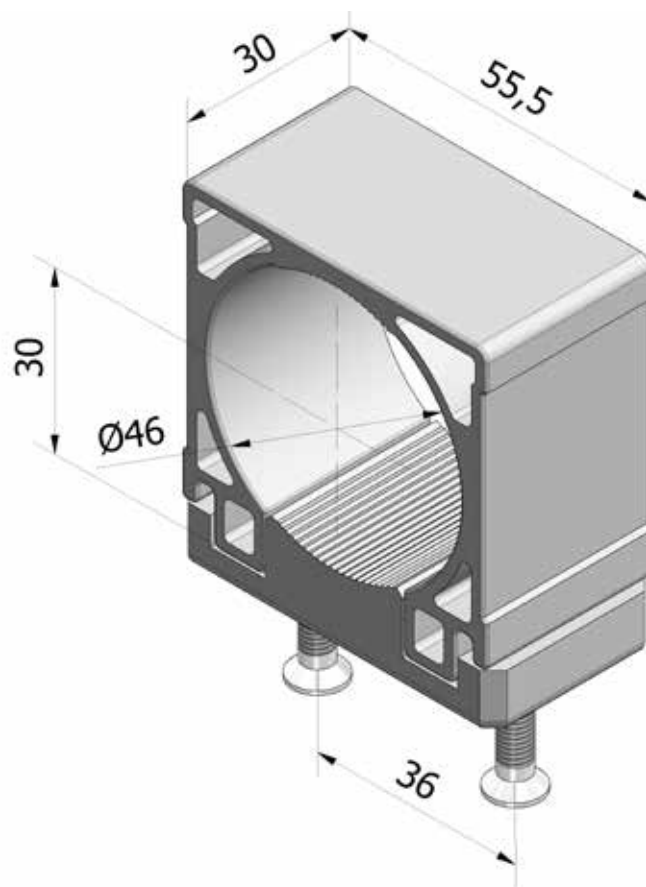
Efficiency:	0,60
Max. torque output:	5 Nm
Operating torque for 20 Kg weight on Ø 32:	3,2 Nm

OUTPUT B
REFERENCE

☺ 14	7014.60.01.N
□ 7	7014.60.03.N
□ 12	7014.60.05.N
◇ 8	7014.60.07.N

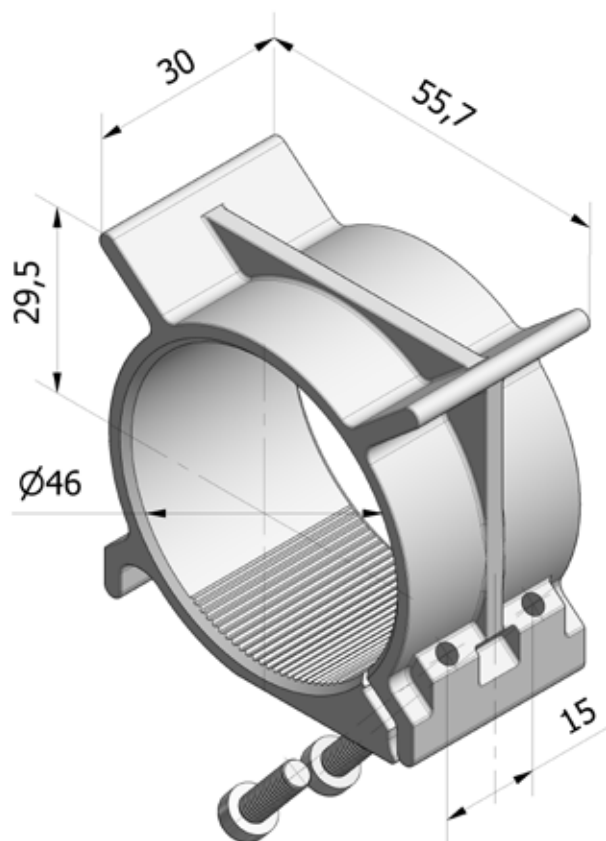
Art. 0789250

- Material: Nylon.
- The optional extension can be fastened to the gears series 7012, 7014, 7016 (Ø 46) and allows to action the gear from outside the headrail.
- The extension fits on the brackets serie:
7073P, 7073PH, 7075PA (58x56 headrail)
7080P, 7085PU (57x51 headrail).



- Structure in Nylon.
- Tightening with 2 self-tapping screws.
- Adaptable to 58x56 headrail with lower opening.
- Anti-rotation interior knurling.

Ø TIGHTENING	HEADRAIL	REFERENCE
46	58x56	7073.P



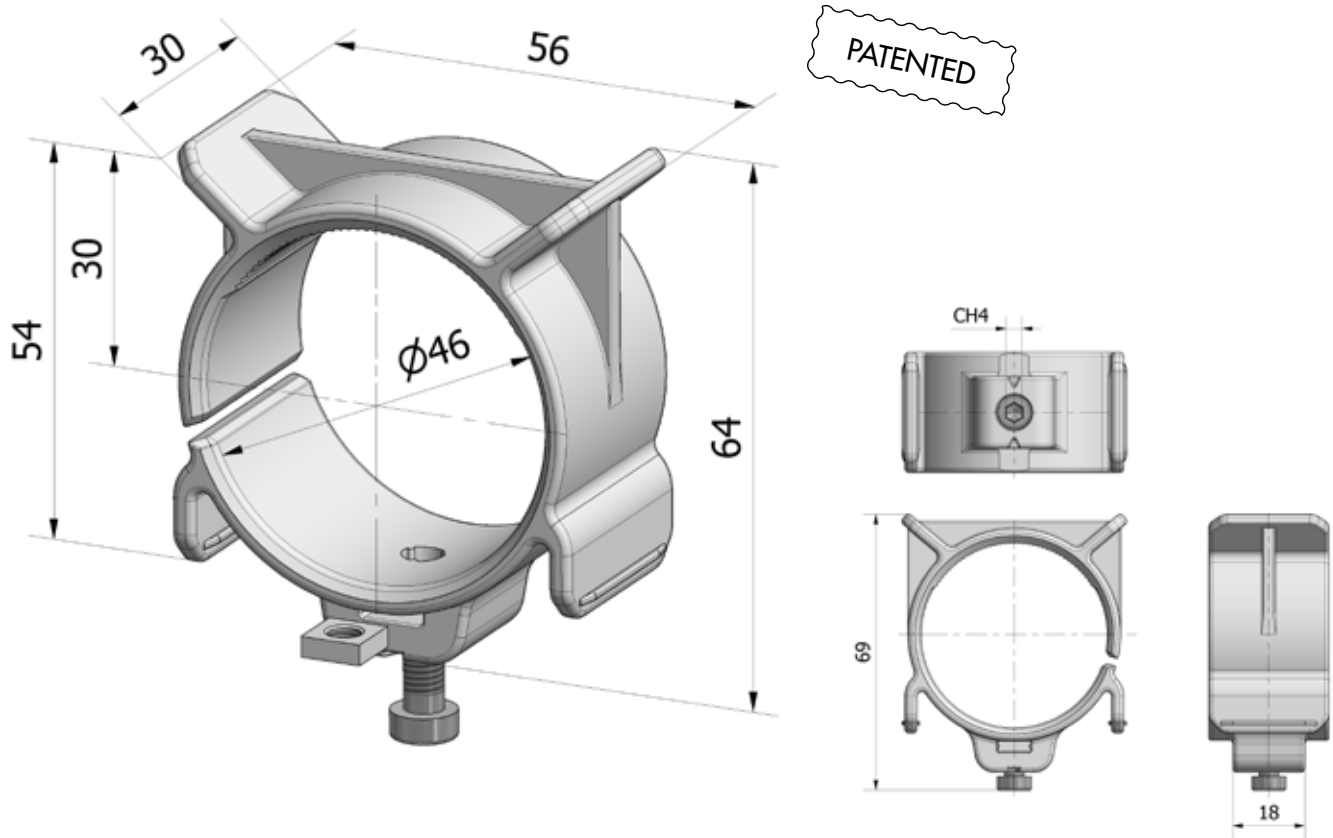
- Structure in Nylon.
- Tightening with 2 self-tapping screws TORX T20.
- Adaptable to 58x56 headrail with lower opening.
- Anti-rotation interior knurling.

Ø TIGHTENING
HEADRAIL
REFERENCE

46

58x56

7073.PH



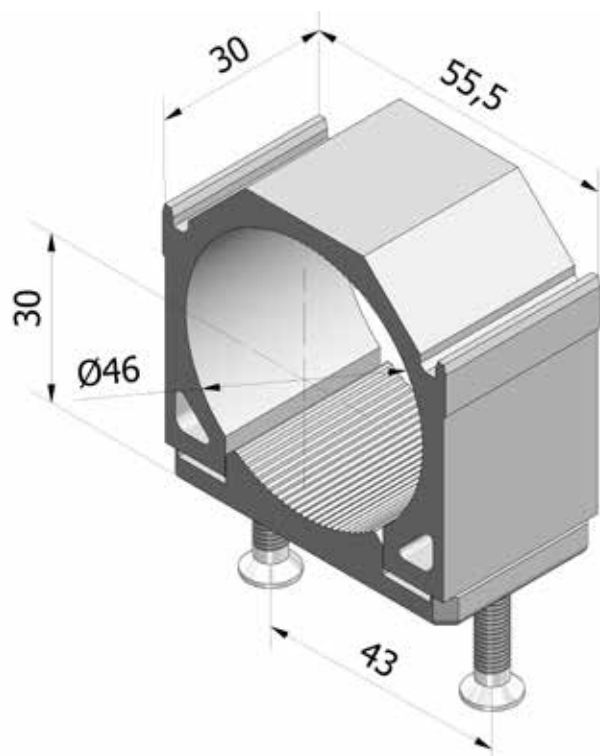
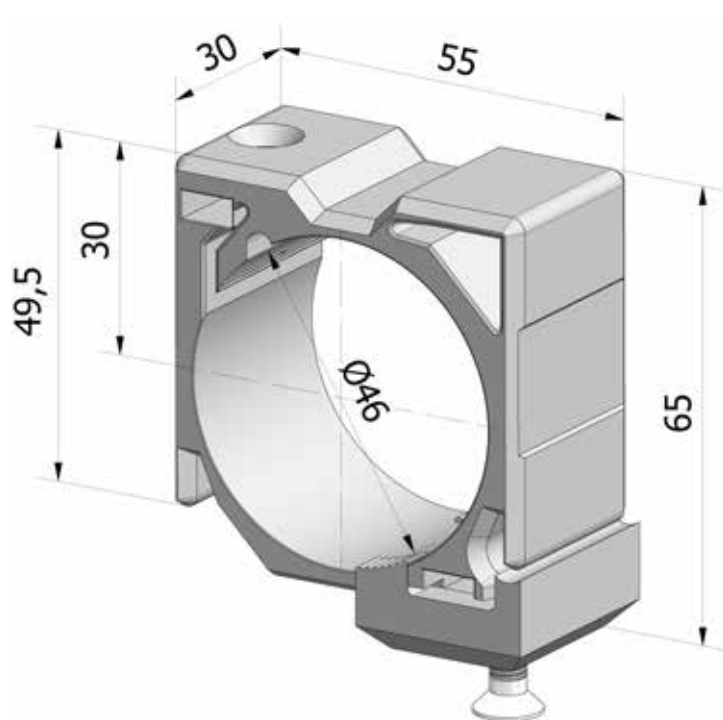
- Structure in Nylon.
- Expansion locking.
- Setting through 1 CH4 metric screw.
- Adaptable to 58x56 headrail with lower opening.
- Anti-rotation interior knurling.
- Easy insert and slide.

Ø TIGHTENING
HEADRAIL
REFERENCE

46

58x56

7075.PA

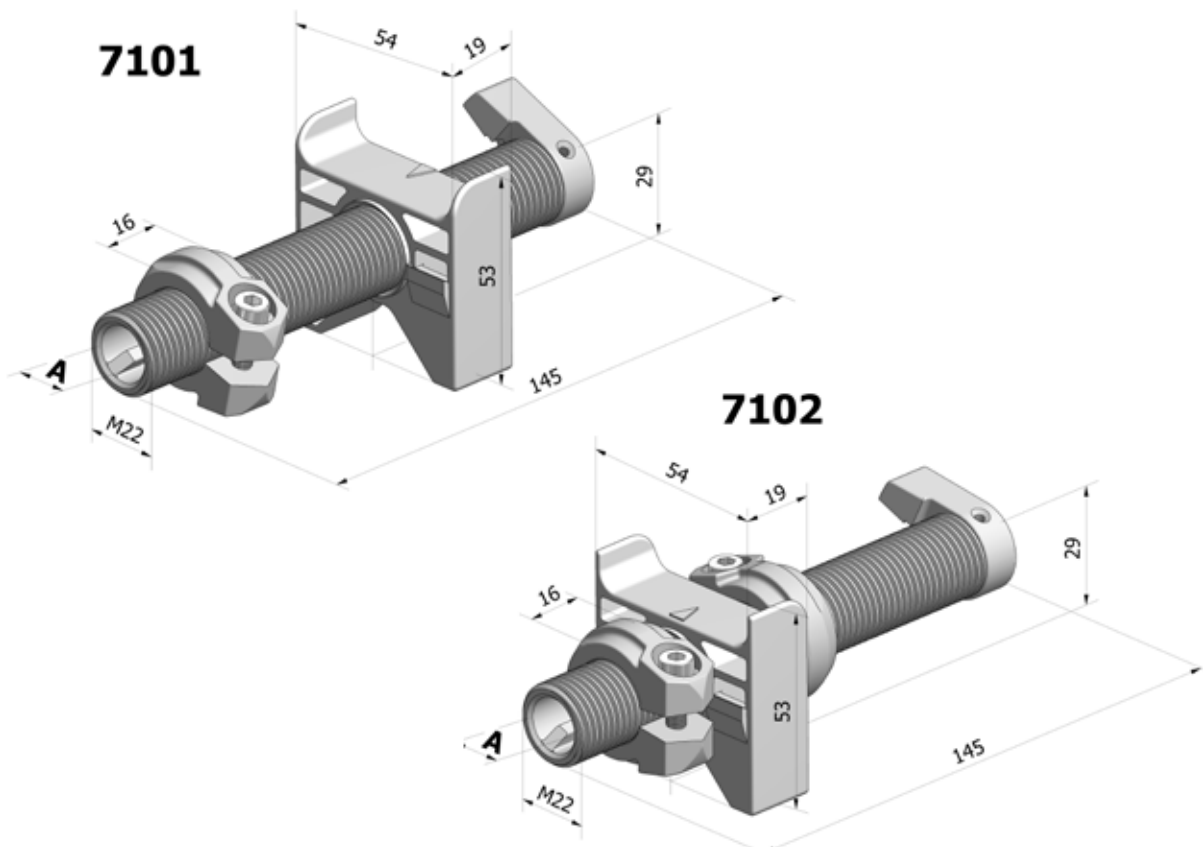
7080.P

7085.PU

Ref. 7080.P

- Structure in Nylon.
- Tightening with 2 self-tapping screws.
- Adaptable to 57x51 headrail with upper opening.
- Anti-rotation interior knurling.

Ref. 7085.PU

- Structure in POM.
- Tightening with metric screw and cube.
- Adaptable to 57x51 headrail with lower opening.
- Anti-rotation interior knurling.

Ø TIGHTENING	HEADRAIL	REFERENCE
46	57x51	7080.P
46	57x51	7085.PU

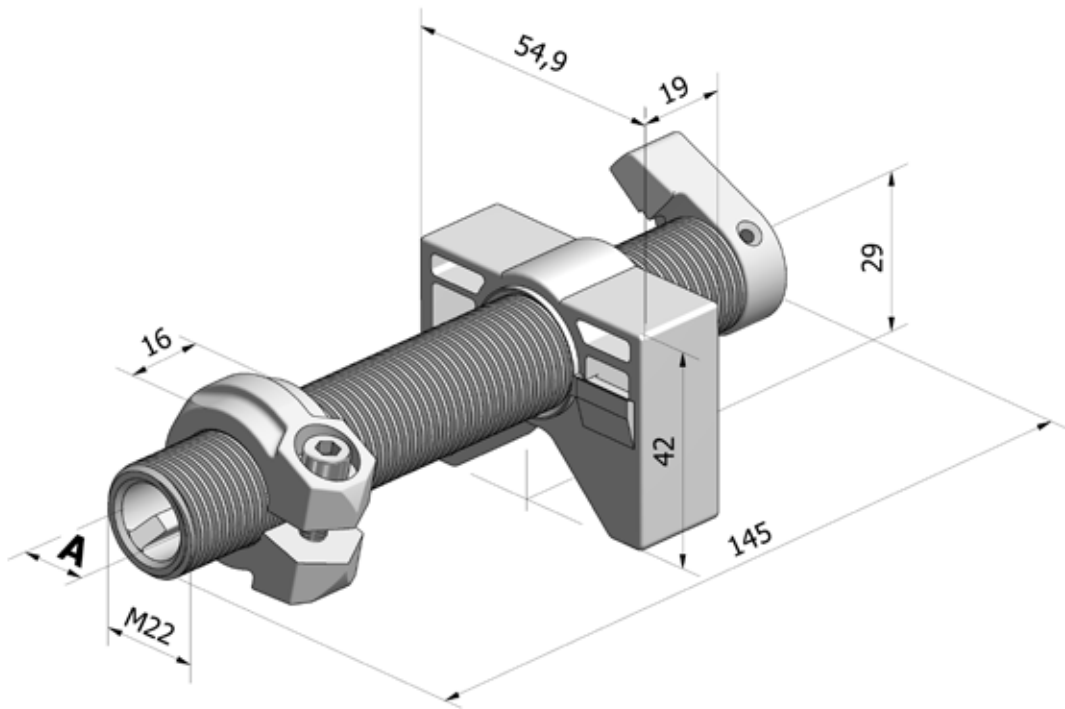


- Screw structure in Nylon reinforced with fibre glass, with anti-rotation external knurling.
- Internal mechanism in POM reinforced with fibre glass.
- Bracket in Nylon reinforced with fibre glass with anti-rotation interior knurling.
- Adjustable up to 48 cycles.

 Max. instant torque: **6 Nm**

 Operating torque: **3 Nm**

INPUT A	HEADRAIL	REFERENCE
☐ 14	58x56	7101.01
☐ 12	58x56	7101.05
☐ 14	58x56	7102.01
☐ 12	58x56	7102.05

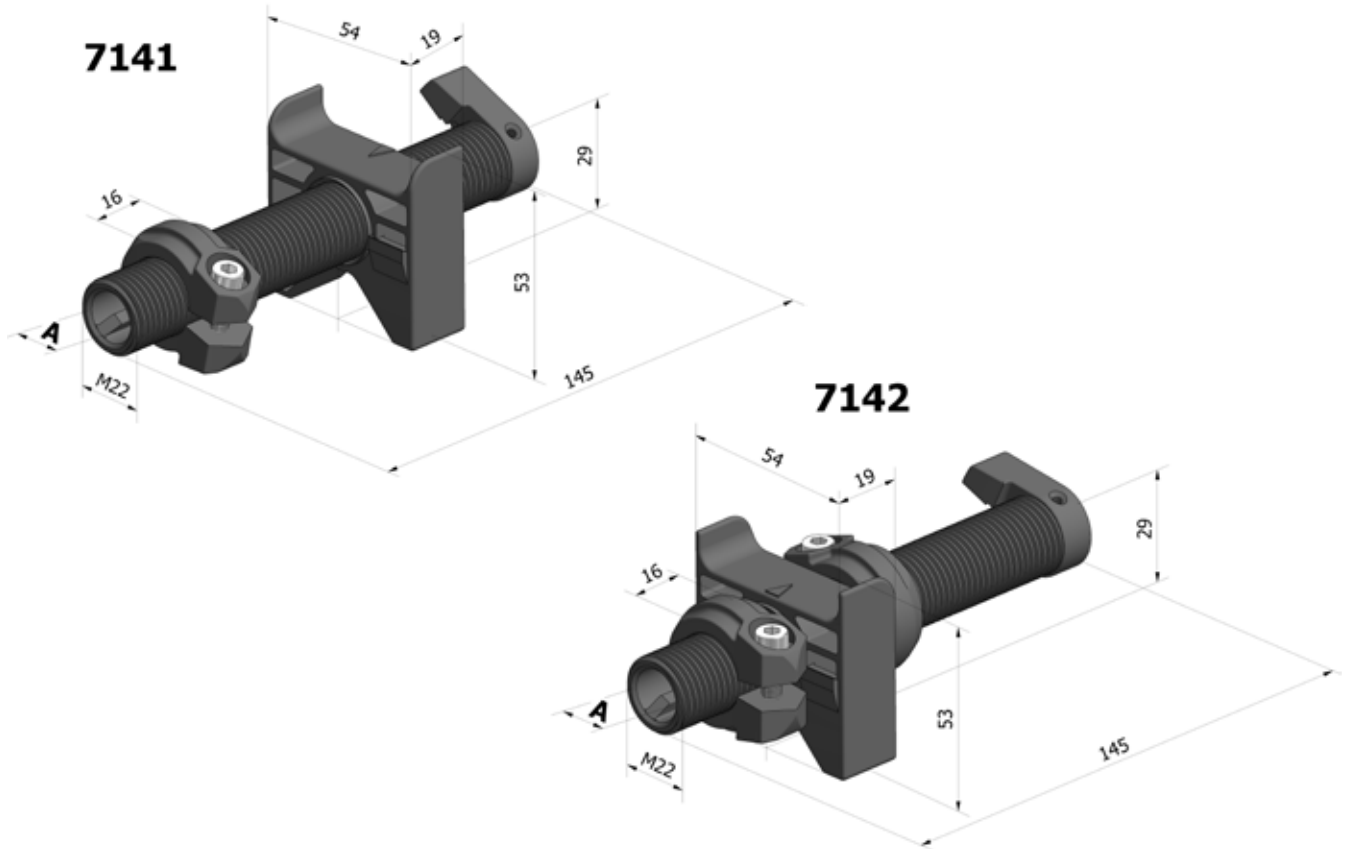


- Screw structure in Nylon reinforced with fibre glass, with anti-rotation external knurling.
- Internal mechanism in POM reinforced with fibre glass.
- Bracket in fibre glass reinforced Nylon with anti-rotation interior knurling.
- Adjustable up to 48 cycles.

 Max. instant torque: **6 Nm**

 Operating torque: **3 Nm**

INPUT A	HEADRAIL	REFERENCE
⊕ 14	57x51	7121.01
□ 12	57x51	7121.05
⬡ 8	57x51	7121.07

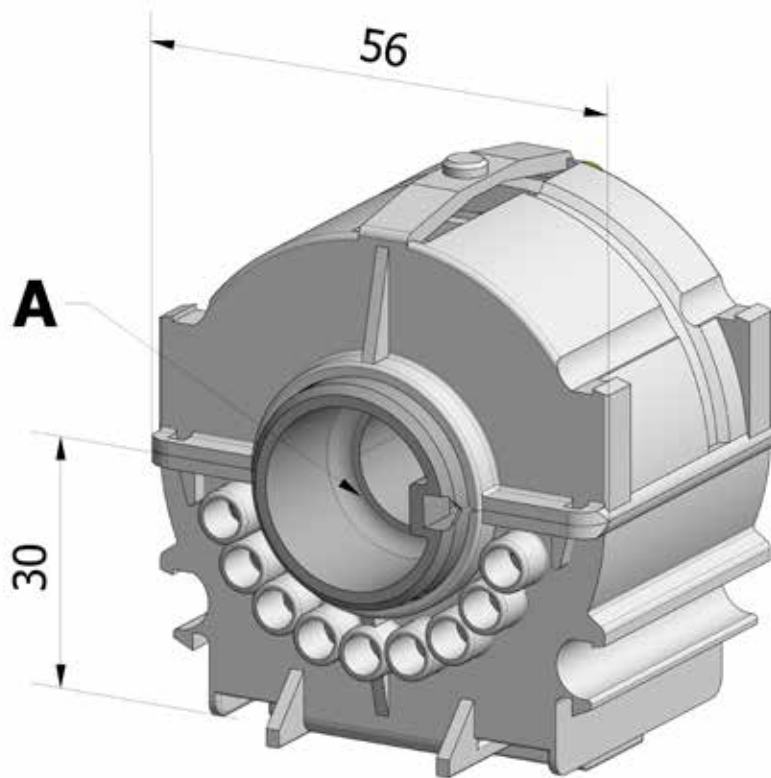


- Screw structure in Nylon reinforced with fibre glass, with anti-rotation external knurling.
- Internal mechanism in POM reinforced with fibre glass.
- Bracket in fibre glass reinforced Nylon with anti-rotation interior knurling.
- Adjustable up to 48 cycles.

Max. instant torque: **5 Nm**

Operating torque: **3 Nm**

INPUT A	HEADRAIL	REFERENCE
☺ 14	58x56	7141.01
☐ 12	58x56	7141.05
☺ 14	58x56	7142.01
☐ 12	58x56	7142.05



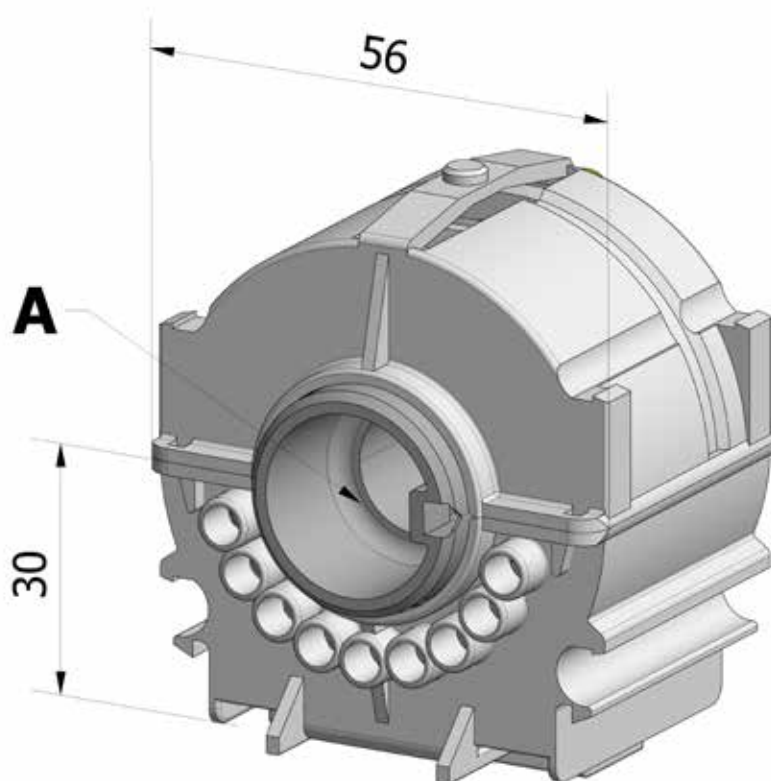
- Case in POM.
- Internal rotation mechanism in Nylon.
- Fit for 57x51 and 58x56 mm headrail.
- Adjustable for 6 mm or 8 mm lift tape.
- With steel spring brake - Lockable slats position, perfect closing.
- Adaptable to headrail, with upper and lower opening.

Maximum applicable weight:

4 Kg each tilt and raise mechanism

TAPE ROLL SUPPORT	REFERENCE	BALL CORD	REFERENCE
A Ø 14 mm	7160.01 M	With one fix ball cord	
A □ 12 mm	7160.05 M	Ball distance 30 mm	7168
A □ 7 mm	7160.03 M	Ball distance 158 mm	7170
A ◻ 8 mm	7160.07 M	(2 Ball) ● - - - ●	
		Ball cord over rotation mechanism	
ACCESSORY		Ball distance 120 mm	7159
Ball coupling	7178	Ball distance 150 mm	7154
		(3 Ball) ● - - - ● - - - ●	

In 250 m rolls



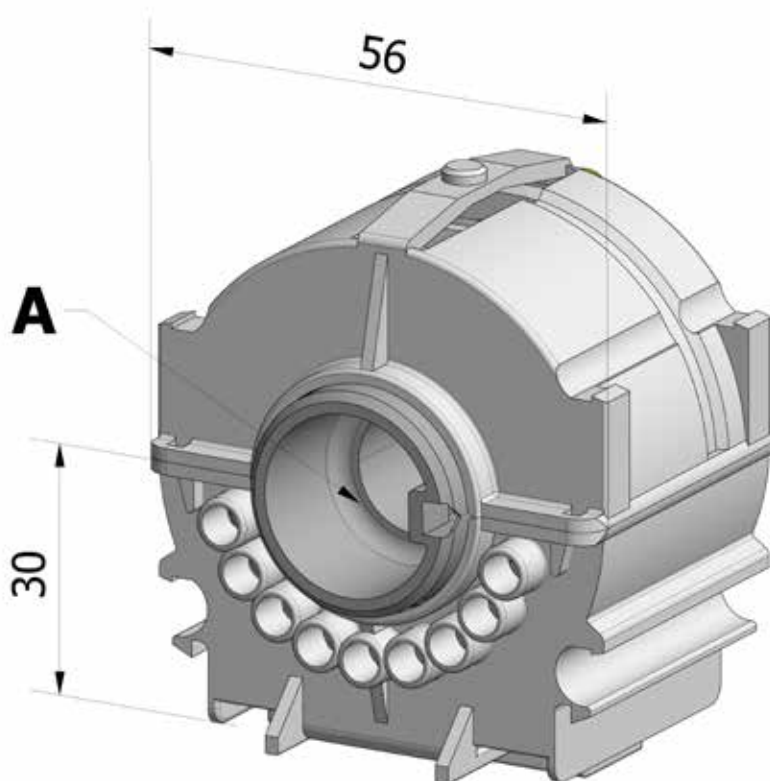
- Case in POM.
- Internal rotation mechanism in Nylon.
- Fit for 57x51 and 58x56 mm headrail.
- Adjustable for 6 mm or 8 mm lift tape.
- With sliding shoe.
- Adaptable to headrail, with upper and lower opening.

Maximum applicable weight:

4 Kg each tilt and raise mechanism

OUTPUT A	SLATS	REFERENCE
∅ 14 mm	50 - 65 mm	7160.01C50
∅ 14 mm	70 - 90 mm	7160.01C90
□ 12 mm	50 - 65 mm	7160.05C50
□ 12 mm	70 - 90 mm	7160.05C90
□ 7 mm	50 - 65 mm	7160.03C50
□ 7 mm	70 - 90 mm	7160.03C90
Ball coupling REF. 7178	3 ball cord 135 mm 135 mm ● - - - ● - - - ●	REF. 7180

In 250 m rolls



- Case in POM.
- Internal rotation mechanism in Nylon.
- Fit for 57x51 and 58x56 mm headrail.
- Adjustable for 6 mm or 8 mm lift tape.
- With sliding shoe.
- Adaptable to headrail, with upper and lower opening.

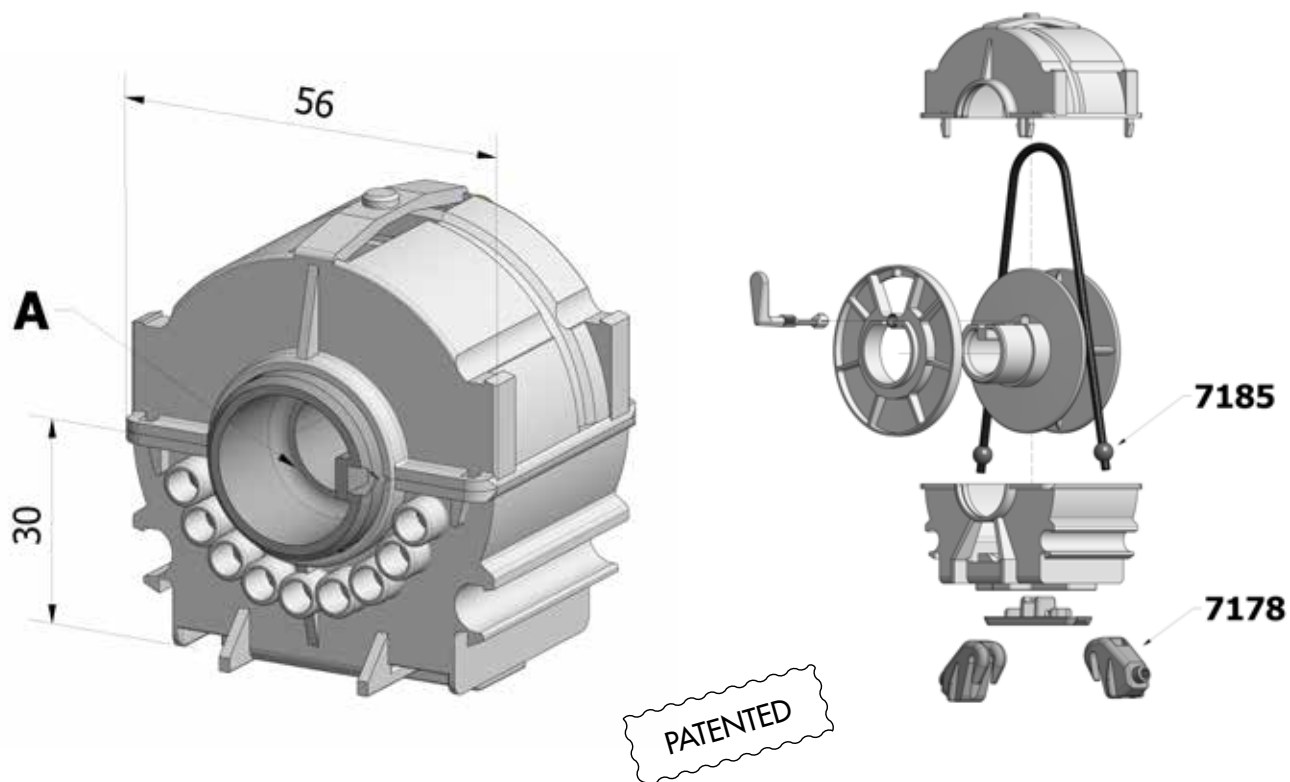
Maximum applicable weight:

4 Kg each tilt and raise mechanism

OUTPUT A		SLATS	REFERENCE
∅ 14 mm		50 - 65 mm	7161.01C50P3
∅ 14 mm		70 - 90 mm	7161.01C90P3
□ 12 mm		50 - 65 mm	7161.05C50P3
□ 12 mm		70 - 90 mm	7161.05C90P3
□ 7 mm		50 - 65 mm	7161.03C50P3
□ 7 mm		70 - 90 mm	7161.03C90P3
Ball coupling	REF. 7178	3 ball cord 110 mm 160 mm	REF. 7182



In 250 m rolls

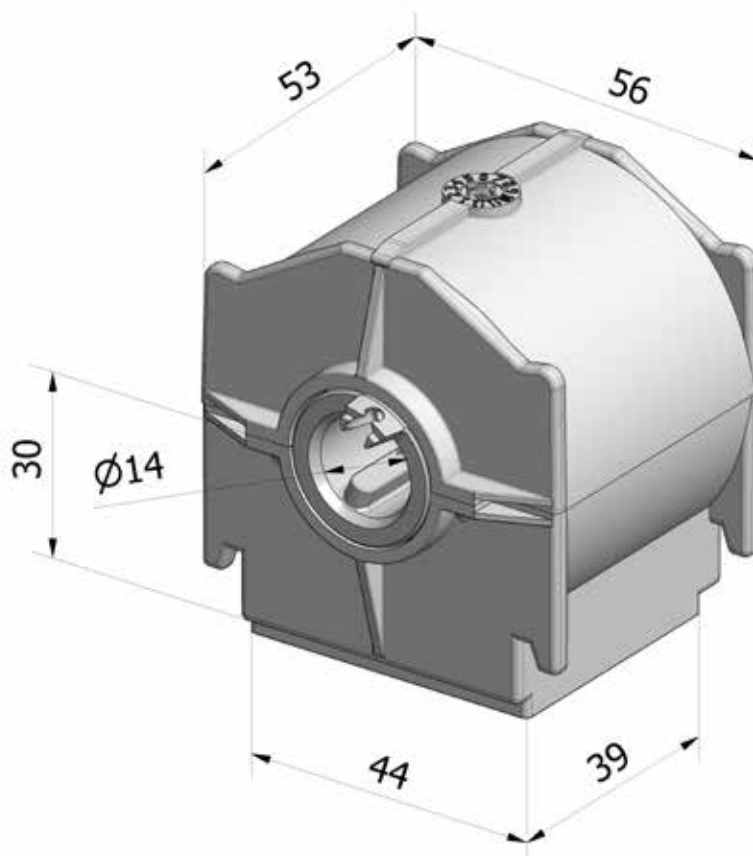


- Case in POM.
- Internal rotation mechanism in Nylon.
- Fit for 57x51 and 58x56 mm headrail.
- Adjustable for 6 mm or 8 mm lift tape.
- Slats position self-blocking.
- Adaptable to headrail, with upper and lower opening.

Maximum applicable weight:

4 Kg each tilt and raise mechanism

OUTPUT A		REFERENCE	
∅ 14 mm		7160.01N	
□ 12 mm		7160.05N	
Ball coupling	REF. 7178	2 ball cord	250 mm
		● - - - - - ●	REF. 7185
In 250 m rolls			

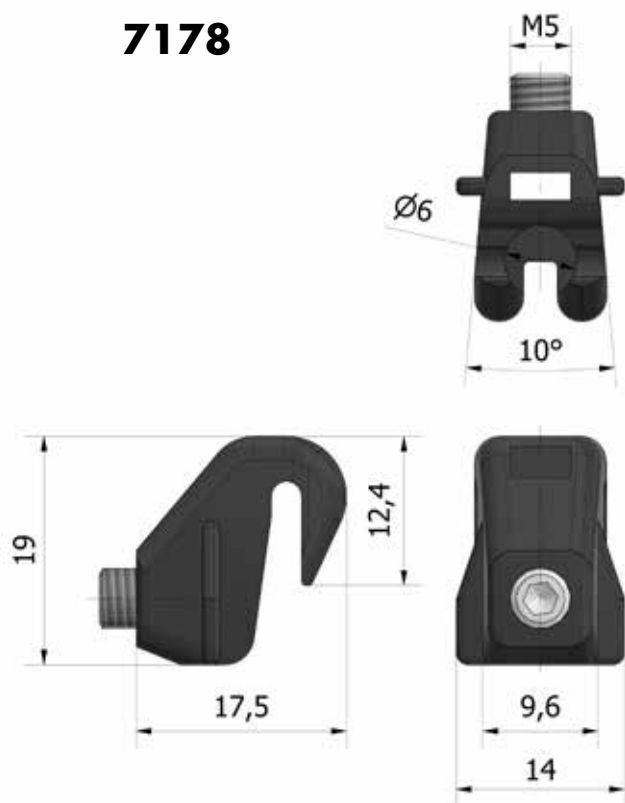
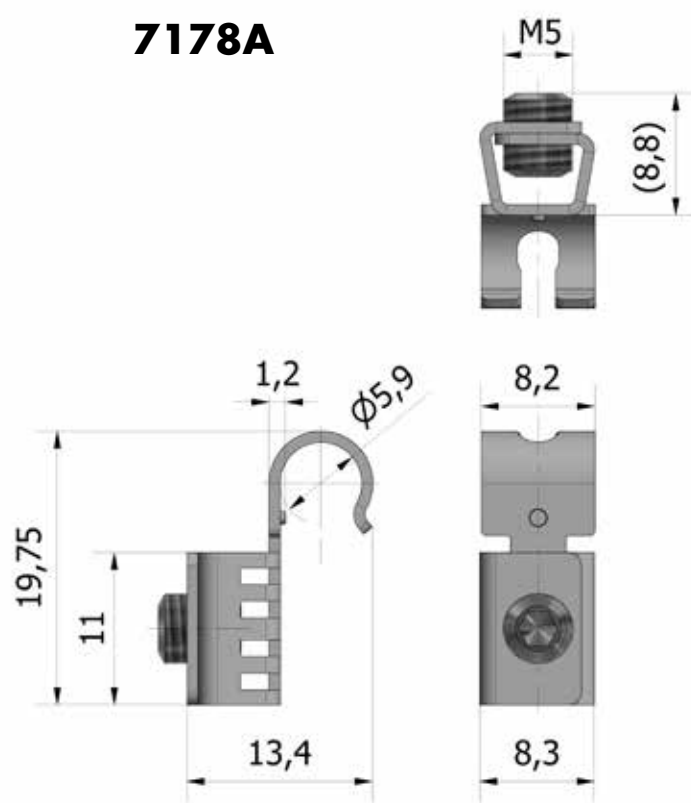


- Case in Nylon.
- Internal rotation mechanism in POM.
- Adaptable to 58x56 headrail.
- Slats position unlocked.

Maximum applicable weight:

4 Kg each tilt and raise mechanism

REFERENCE	BALL CORD	REFERENCE
7166	Ball distance 30 mm ● - - - - ●	7168
	Ball distance 158 mm ● - - - - ●	7170
	(In 250 m rolls)	
	Ball coupling	7178
	Stop-Ring with screw	7176

7178**7178A****Ref. 7178**

- POM material.
- M5 flat screw DIN 913 A2.
- Fit for ball cord \varnothing 5,8.

Ref. 7178A

- Stainlers steel material.
- M5 flat screw DIN 913 A2.
- Fit for ball cord \varnothing 5,8.